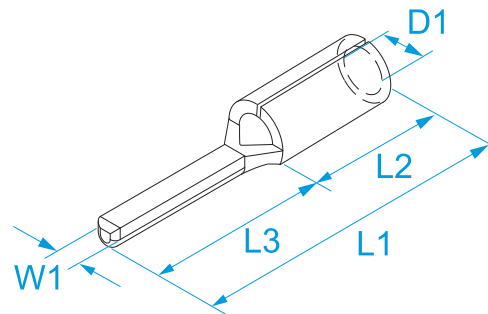


Product family: Terminals - Uninsulated terminals from sheet
Code: 01150, 01151, 01250, 01251, 01350
Description: TERMINAL LUGS FOR COPPER CONDUCTORS · UNINSULATED FROM SHEET · ROUND PIN

Image:

Technical Drawing:

Specifications:

TERMINAL MATERIAL: tinned copper
OPERATING TEMPERATURE: from -50 °C to +150 °C

Code	Section (mm ²)	Section (AWG/MCM)	W1 (mm)	L1 (mm)	L2 (mm)	L3 (mm)	D1 (mm)	
01150	0.25 ÷ 1.5	(22 - 16)	1,8	17,3	5,2	12	1,8	200/2000
01151	0.25 ÷ 1.5	(22 - 16)	1,8	14,2	5,2	9	1,8	
01250	1.5 ÷ 2.5	(16 - 14)	1,8	17,3	5,2	12	2,4	200/2000
01251	1.5 ÷ 2.5	(16 - 14)	1,8	14,2	5,2	9	2,4	
01350	4 ÷ 6	(12 - 10)	2,6	20,5	6,5	12,5	3,6	100/1000