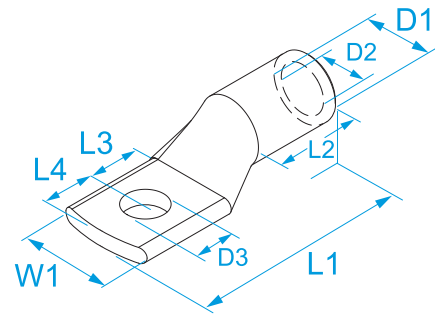


Product family: Terminals - Uninsulated tube terminals
Code: 017313, 018313, 018373, 018433, 019313, 019433, 031373, 031433, 032373, 032433, 033373, 033433, 034493, 035433, 035493
Description: TERMINAL LUGS FOR COPPER CONDUCTORS · UNINSULATED · SMALL PLATE

Image:

Technical Drawing:

Specifications:

TERMINAL MATERIAL: tinned copper
OPERATING TEMPERATURE: from -50 °C to +150 °C
APPLICATIONS: the reduced width of the palm allows connection to equipment with lugs of dimensions not suitable for standard terminals.
ACCORDING TO STD.: UL 486 A-B

Code	Section (mm ²)	Section (AWG/MCM)	For screw Ø screw (mm)	For screw Stud size	Indent	W1 (mm)	L1 (mm)	L2 (mm)	L3 (mm)	L4 (mm)	D1 (mm)	D2 (mm)	D3 (mm)	
017313	35	(2)	6	#12	11	15	39	16	8	7	11,5	8,5	6,5	25/25
018313	50	(1/0)	6	#12	12	15	41	18	8	7	13	10	6,5	
018373•	50	(1/0)	8	5/16"	12	18,7	49,5	18	11	11	13	10	8,4	25/25
018433	50	(1/0)	10	3/8"	12	18,7	49,5	18	11	11	13	10	10,5	
019313•	70	(2/0)	6	#12	14	17	46	20	9,5	6,5	15	12	6,5	25/25
019433•	70	(2/0)	10	3/8"	14	19	52	21	13	10	15	12	10,5	
031373•	95	(3/0)	8	5/16"	16	19	54	24	12	8	17,5	13,8	8,5	25/25
031433•	95	(3/0)	10	3/8"	16	19	58	22	13	10	17,5	13,8	10,5	
032373	120	(4/0)	8	5/16"	18	19	61	22	12	9	19,5	15,5	8,5	25/25
032433	120	(4/0)	10	3/8"	18	19	61	22	12	9	19,5	15,5	10,5	
033373	150	(300)	8	5/16"	20	19	70	30	17	9	21	17	8,4	25/25
033433	150	(300)	10	3/8"	20	19	70	30	17	9	21	17	10,5	
034493	185	(400)	12	1/2"	22	31	82	32	17	14	24	19	13	25/25
035433•	240	(500)	10	3/8"	25	31,5	90	39	17	14	27	21,5	10,5	25/25
035493	240	(500)	12	1/2"	25	31,5	90	39	17	14	27	21,5	13	



file n° E 137735

• No UL