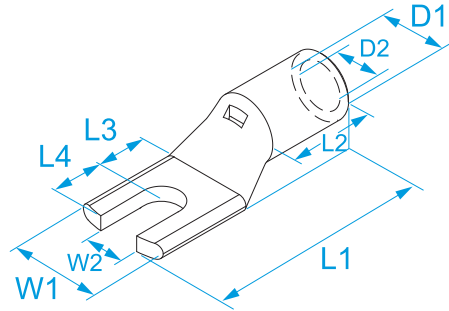


Product family: Terminals - Fork and pin terminals
Code: 01420, 01426, 01523, 01526
Description: TERMINAL LUGS FOR COPPER CONDUCTORS · UNINSULATED · FORK

Image:



Technical Drawing:



Specifications:

TERMINAL MATERIAL: tinned copper
OPERATING TEMPERATURE: from -50 °C to +150 °C

Code	Section (mm ²)	Section (AWG/MCM)	For screw Ø screw (mm)	For screw Stud size	W1 (mm)	W2 (mm)	L1 (mm)	L2 (mm)	L3 (mm)	L4 (mm)	D1 (mm)	D2 (mm)	
01420	10	(8)	4	#8	10	4,3	30,5	9,5	8	7	7	5	100/100
01426	10	(8)	5	#10	10	5,3	30,5	9,5	8	7	7	5	
01523	16	(6)	4	#8	11,5	4,3	34	11	9,5	8	8	6	100/100
01526	16	(6)	5	#10	11,5	5,3	34	11	9,5	8	8	6	

