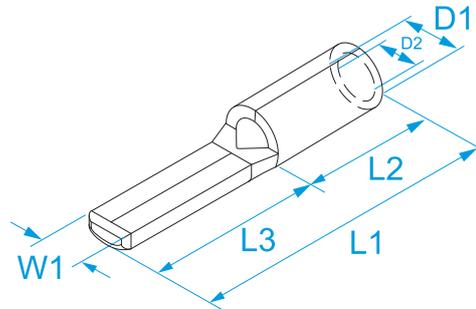


Product family: Terminals - Fork and pin terminals
Code: 01450, 01550, 01650, 01750, 01850, 01950, 02050
Description: TERMINAL LUGS FOR COPPER CONDUCTORS · UNINSULATED · PIN · SILVER ALLOY BRAZED DIN 46234

Image:



Technical Drawing:



Specifications:

TERMINAL MATERIAL: tinned copper
SEAM: brazed silver alloy
OPERATING TEMPERATURE: from -50 °C to +150 °C

Code	Section (mm ²)	Section (AWG/MCM)	W1 (mm)	L1 (mm)	L2 (mm)	L3 (mm)	D1 (mm)	D2 (mm)	
01450	10	(8)	4,3	22	8	12	7	4,5	100/100
01550	16	(6)	5,5	25	10	13	8,5	5,8	100/100
01650	25	(4)	6,8	33,5	13,5	15	9,6	6,7	100/100
01750	35	(2)	8	40,5	16	24,5	11,8	8,4	100/100
01850	50	(1/0)	9,5	45	19	26	13,6	9,6	100/100
01950	70	(2/0)	11	55	24	31	15,8	11,4	50/50
02050	95	(3/0)	12,5	55	24	31	18,9	13,5	50/50