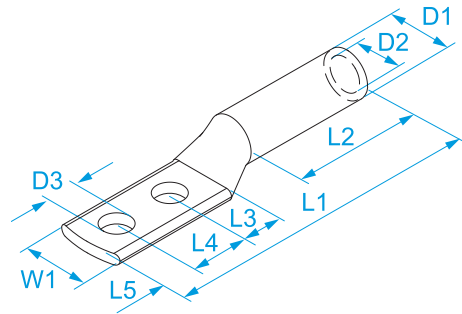


Product family: Terminals - Medium Voltage terminals
Code: 73201, 73211, 73202, 73203, 73204, 73205, 73206, 73207, 73208, 73209, 73210, 73212, 73213, 73214
Description: TERMINAL LUGS FOR COPPER CONDUCTORS · UNINSULATED · MEDIUM VOLTAGE · DOUBLE HOLE

Image:



Technical Drawing:



Specifications:

TERMINAL MATERIAL: tinned copper
RATED VOLTAGE: from 1 kV to 35 kV AC
OPERATING TEMPERATURE: from -50 °C to +150 °C
CONDUCTOR CLASS: Class 2 (stranded non compacted circular, compacted circular and shaped conductors) according to EN 60228

Code	Conductor section no compacted circular or shaped (mm ²)	Circular compacted conductor section (mm ²)	For screw Ø screw (mm)	For screw Stud size	Indent	W1 (mm)	L1 (mm)	L2 (mm)	L3 (mm)	L4 (mm)	L5 (mm)	D1 (mm)	D2 (mm)	D3 (mm)	
73201	25	35	8	5/16"	10	16,5	117	37	11	44,5	13	10	7	8,4	25/50
73211	25	35	12	1/2"	10	20	121	37	13	44,5	16	10	7	13	50/50
73202	35		12	1/2"	12	23	121	36	13	44,5	16	13	8,4	13	25/25
73203	50		12	1/2"	12	20	122	35	17,5	44,5	13,5	13	9,5	13	25/25
73204	70		12	1/2"	16	27	127	37,5	16	44,5	14	18	11,5	13	10/10
73205	95		14	9/16"	20	28	131	43	16	44,5	14	20	13,5	15	10/10
73206	120	150	14	9/16"	22	32	138	49,5	16	44,5	14	23	15,3	15	10/10
73207	150	160	14	9/16"	22	34	145	49	16	44,5	13	23,5	17	15	10/10
73208	185	240	14	9/16"	28	41,5	148	54	18	44,5	16	30	20	15	10/10
73209	240	300-315	14	9/16"	28	43	147	53	18	44,5	16	30	21,8	15	10/10
73210	300		14	9/16"	28	43	150	46	18	44,5	16	30	24	15	10/10
73212	400		14	9/16"	35	50	162	60	18	44,5	16	35	27	15	5/5
73213	500		16	5/8"	38	56	192	68	22	44,5	19	38	30	17	5/5
73214	630		16	5/8"	42	61	208	83	25	44,5	23	42	33,6	17	5/5