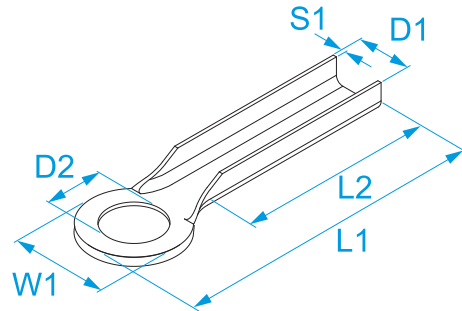


Product family: Terminals - C shunt and terminals for ground connection
Code: 79135
Description: TERMINAL LUGS FOR COPPER CONDUCTORS FOR GROUND · UNINSULATED · RING

Image:

Technical Drawing:

Specifications:

TERMINAL MATERIAL: tinned copper
OPERATING TEMPERATURE: from -50 °C to +150 °C

Code	Section (mm ²)	Section (AWG/MCM)	For screw Ø screw (mm)	For screw Stud size	Indent	W1 (mm)	L1 (mm)	L2 (mm)	D1 (mm)	D2 (mm)	S1 (mm)	
79135	35	(2)	16	5/8"	14	28	84	47	10,8	17	3	25/25