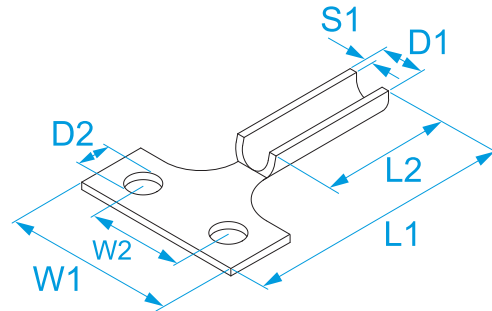



**Product family:** Terminals - C shunt and terminals for ground connection  
**Code:** 79235  
**Description:** TERMINAL LUGS FOR COPPER CONDUCTORS FOR GROUND · UNINSULATED · RECTANGULAR

**Image:**

**Technical Drawing:**

**Specifications:**

**TERMINAL MATERIAL:** tinned copper  
**OPERATING TEMPERATURE:** from -50 °C to +150 °C

Code	Section (mm <sup>2</sup> )	Section (AWG/MCM)	For screw Ø screw (mm)	For screw Stud size	Indent	W1 (mm)	W2 (mm)	L1 (mm)	L2 (mm)	D1 (mm)	D2 (mm)	S1 (mm)	
79235	35	(2)	12	1/2"	14	70	40	100	47	10,8	13	3	25/25