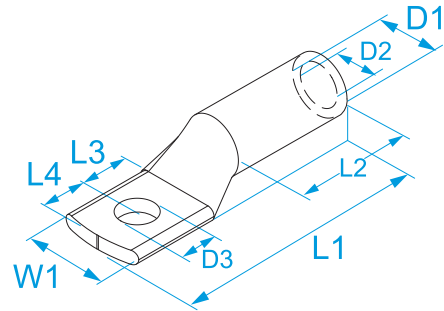


Product family: Terminals - Aluminium terminals
Code: 76016, 76017, 76025, 76026, 76035, 76036, 76050, 76051, 76070, 76071, 76095, 76096, 76097, 76120, 76121, 76150, 76151, 76152, 76185, 76186, 76187, 76240, 76241, 76242
Description: TERMINAL LUGS FOR ALUMINUM CONDUCTORS · UNINSULATED · DIN 48201

Image:



Technical Drawing:



Specifications:

TERMINAL MATERIAL: aluminum 1050 A EN573-3 with no less than 99.5% purity
OPERATING TEMPERATURE: from -50 °C to +150 °C
ACCORDING TO STD.: DIN 48201
PROTECTION: the conductor housing is filled with grease (dropping point 90 °C) and plugged with a plastic cap to avoid oxidation.

Code	Conductor section no compacted circular or shaped (mm ²)	Circular compacted conductor section (mm ²)	For screw Ø screw (mm)	For screw Stud size	Indent	W1 (mm)	L1 (mm)	L2 (mm)	L3 (mm)	L4 (mm)	D1 (mm)	D2 (mm)	D3 (mm)	
76016	16	25	8	5/16"	12	18	66	33,5	12,5	12,5	12	5,8	8,5	
76017	16	25	10	3/8"	12	18	66	33,5	12,5	12,5	12	5,8	10,5	
76025	25	35	8	5/16"	12	18	72,5	40	12,5	12,5	12	6,8	8,5	
76026	25	35	10	3/8"	12	18	72,5	40	12,5	12,5	12	6,8	10,5	
76035	35	50	10	3/8"	13	21	80	44	14	13	14	8	10,5	
76036	35	50	12	1/2"	13	21	80	44	14	13	14	8	13	
76050	50	70	10	3/8"	15	25	86	46	15	14	16	9,8	10,5	
76051	50	70	12	1/2"	15	25	86	46	15	14	16	9,8	13	25/25
76070	70	95	10	3/8"	20	28	101	54	16	14	18,5	11,2	10,5	
76071	70	95	12	1/2"	20	28	101	54	16	14	18,5	11,2	13	
76095	95	120	10	3/8"	21	32	105	57	16	14	22	13,2	10,5	
76096	95	120	12	1/2"	21	32	105	57	16	14	22	13,2	13	
76097	95	120	16	5/8"	21	34	110	57	19	16	22	13,2	17	
76120	120	150	12	1/2"	22	34	108	59	18	17	23	14,7	13	
76121	120	150	16	5/8"	22	34	108	59	18	17	23	14,7	17	
76150	150	185	12	1/2"	25	35	120	64	19	17	25	16,3	13	
76151	150	185	16	5/8"	25	35	120	64	19	17	25	16,3	17	
76152	150	185	20	3/4"	25	35	126	64	22	20	25	16,3	21	
76185	185	240	12	1/2"	28	40	127	64	24,5	21	28,5	18,3	13	
76186	185	240	16	5/8"	28	40	127	64	24,5	21	28,5	18,3	17	10/10
76187	185	240	20	3/4"	28	40	127	64	24,5	21	28,5	18,3	21	
76240	240	300	12	1/2"	32	45	140	70	25	24	32	21	13	
76241	240	300	16	5/8"	32	45	140	70	25	24	32	21	17	
76242	240	300	20	3/4"	32	45	140	70	25	24	32	21	21	