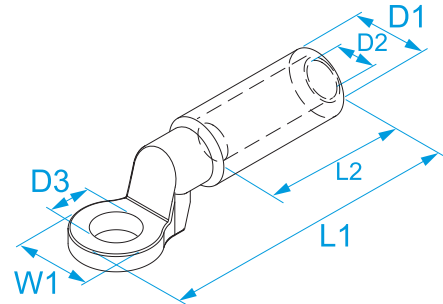


**Product family:** Terminals - Bimetallic terminals  
**Code:** 70000, 70001, 70002, 70003, 70004, 70005, 70006, 70007, 70008, 70009, 70010  
**Description:** BIMETALLIC TERMINAL LUGS · UNINSULATED · RING

**Image:**




**Technical Drawing:**



**Specifications:**

**PALM MATERIAL:** copper 99.9%  
**BARREL MATERIAL:** aluminum 99.5%  
**CONDUCTOR CABLE MATERIAL:** L.V. and M.V. aluminium  
**OPERATING TEMPERATURE:** from -50 °C to +150 °C  
**APPLICATIONS:** useful where an aluminum cable has to be terminated by a copper bus bar or copper contact. Indeed a galvanic action occurs if terminals of only copper or aluminum are used due to dissimilar contact.  
**PROTECTION:** the conductor housing is filled with grease (dropping point 90 °C) and plugged with a plastic cap to avoid oxidation.

Code	Section (mm <sup>2</sup> )	Section (AWG/MCM)	For screw Ø screw (mm)	For screw Stud size	Indent	W1 (mm)	L1 (mm)	L2 (mm)	D1 (mm)	D2 (mm)	D3 (mm)	
70000	16	(6)	12	1/2"	15	22,5	87	47,5	16	5,6	13	10/10
70001	25	(4)	12	1/2"	15	22,5	87	47,5	16	6,6	13	10/10
70002	35	(2)	12	1/2"	20	25	88	47,5	20	8,2	13	10/10
70003	50	(1/0)	12	1/2"	20	25	88	47,5	20	9,2	13	10/10
70004	70	(2/0)	12	1/2"	20	25	88	47,5	20	11,2	13	10/10
70005	95	(3/0)	12	1/2"	20	25	88	47,5	20	12,7	13	10/10
70006	120	(4/0)	12	1/2"	25	32	113	64,5	25	13,9	13	10/10
70007	150	(300)	12	1/2"	25	32	113	64,5	25	15,7	13	10/10
70008	185	(400)	12	1/2"	32	35,5	118	64,5	32	17,2	13	10/10
70009	240	(500)	12	1/2"	32	35,5	118	64,5	32	19,7	13	10/10
70010	300	(600)	12	1/2"	35	35,5	145	90	34	23,3	13	10/10