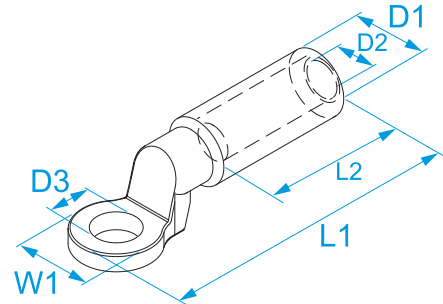


Product family: Terminals - Bimetallic terminals
Code: 70602, 70603, 70604, 70605, 70606, 70607, 70608, 70609
Description: BIMETALLIC TERMINAL LUGS · UNINSULATED DIN 48201 · RING

Image:




Technical Drawing:



Specifications:

PALM MATERIAL: copper 99.9%
BARREL MATERIAL: aluminum 99.5%
CONDUCTOR CABLE MATERIAL: L.V. and M.V. aluminium
OPERATING TEMPERATURE: from -50 °C to +150 °C
APPLICATIONS: useful where an aluminum cable has to be terminated by a copper bus bar or copper contact. Indeed a galvanic action occurs if terminals of only copper or aluminum are used due to dissimilar contact.
ACCORDING TO STD.: DIN 48201
PROTECTION: the conductor housing is filled with grease (dropping point 90 °C) and plugged with a plastic cap to avoid oxidation.

Code	Section (mm ²)	Section (AWG/MCM)	For screw Ø screw (mm)	For screw Stud size	Indent	W1 (mm)	L1 (mm)	L2 (mm)	D1 (mm)	D2 (mm)	D3 (mm)	
70602	35	(2)	12	1/2"	13	25	90	43	14	8	13	10/10
70603	50	(1/0)	12	1/2"	15	25	92	43	16	9,8	13	10/10
70604	70	(2/0)	12	1/2"	20	25	92	45	18,5	11,2	13	10/10
70605	95	(3/0)	12	1/2"	21	25	92	45	22	13,2	13	10/10
70606	120	(4/0)	12	1/2"	22	32	120	60	23	14,7	13	10/10
70607	150	(300)	12	1/2"	25	32	120	60	25	16,3	13	10/10
70608	185	(400)	12	1/2"	28	35,5	125	60	28,5	18,3	13	10/10
70609	240	(500)	12	1/2"	32	35,5	125	65	32	21	13	10/10