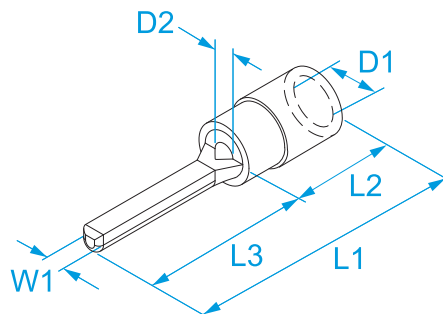


Product family: Terminals - Insulated terminal lugs from sheet
Code: 00150, 00151, 00250, 00251, 00350
Description: TERMINAL LUGS FOR COPPER CONDUCTORS · PVC INSULATED FROM SHEET · ROUND PIN

Image:



Technical Drawing:



Specifications:

TERMINAL MATERIAL: tinned copper
INSULATION MATERIAL: polyvinylchloride (PVC)
INSULATION SELF-EXTINGUISHING GRADE: UL 94 V0
RATED VOLTAGE: 300 V max
OPERATING TEMPERATURE: 75 °C max
ACCORDING TO STD.: UL 486 A-B

Code	Color	Section (mm ²)	Section (AWG/MCM)	W1 (mm)	L1 (mm)	L2 (mm)	L3 (mm)	D1 (mm)	D2 (mm)	
00150	Red	0.25 ÷ 1.5	(22 - 16)	1,8	22,4	10,4	12	4,2	1,95	100/1000
00151	Red	0.25 ÷ 1.5	(22 - 16)	1,8	20	10,4	9	4,2	1,95	
00250	Blue	1.5 ÷ 2.5	(16 - 14)	1,8	23	11	12	4,8	2,45	100/1000
00251	Blue	1.5 ÷ 2.5	(16 - 14)	1,8	20	11	9	4,8	2,45	
00350	Yellow	4 ÷ 6	(12 - 10)	2,6	28	14	14	6,6	3,5	50/500



E-B170 (0,5-1,5 mm²)
 E-B171 (1,5-2,5 mm²)
 E-B172 (4-6 mm²)



file n° E 137735

