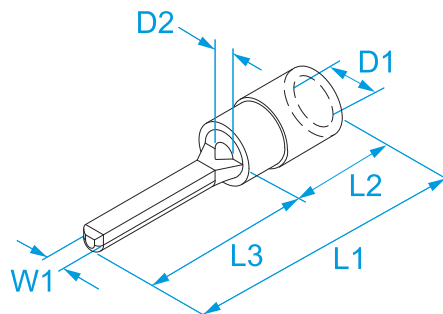


Product family: Terminals - Insulated terminal lugs from sheet
Code: 80150, 80250, 80350
Description: TERMINAL LUGS FOR COPPER CONDUCTORS · NYLON INSULATED FROM SHEET · ROUND PIN

Image:






Technical Drawing:



Specifications:

TERMINAL MATERIAL: tinned copper
INSULATION MATERIAL: polyamide (PA 6.6)
INSULATION SELF-EXTINGUISHING GRADE: UL 94 V2
RATED VOLTAGE: 300 V max
OPERATING TEMPERATURE: 105 °C max

Code	Color	Section (mm ²)	Section (AWG/MCM)	W1 (mm)	L1 (mm)	L2 (mm)	L3 (mm)	D1 (mm)	D2 (mm)	
80150		Red	0.25 ÷ 1.5 (22 - 16)	1,8	22	10,4	12	4,2	1,95	100/1000
80250		Blue	1.5 ÷ 2.5 (16 - 14)	1,8	23	11	12	4,8	2,45	100/1000
80350		Yellow	4 ÷ 6 (12 - 10)	2,6	28	14	14	6,6	3,6	100/1000

