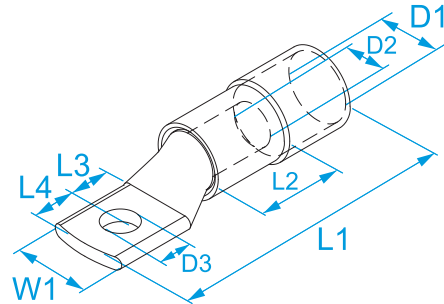


**Product family:** Terminals - Insulated tube terminals  
**Code:** 917313, 918313, 918433, 919313, 919433, 931373, 931433, 932373, 932433, 933373, 933433, 934493, 935493  
**Description:** TERMINAL LUGS FOR COPPER CONDUCTORS · NYLON INSULATED · BLACK · SMALL PLATE

**Image:**



**Technical Drawing:**



**Specifications:**

**TERMINAL MATERIAL:** tinned copper  
**INSULATION MATERIAL:** polyamide (PA 6.6)  
**INSULATION SELF-EXTINGUISHING GRADE:** UL 94 V0  
**OPERATING TEMPERATURE:** 125 °C max  
**APPLICATIONS:** the reduced width of the palm allows connection to equipment with lugs of dimensions not suitable for standard terminals.

Code	Color	Section (mm <sup>2</sup> )	Section (AWG/MCM)	For screw Ø screw (mm)	For screw Stud size	W1 (mm)	L1 (mm)	L2 (mm)	L3 (mm)	L4 (mm)	D1 (mm)	D2 (mm)	D3 (mm)		
917313	■	Black	35	(2)	6	#12	15	55	16	8	7	14	8,5	6,5	25/25
918313	■	Black	50	(1/0)	6	#12	15	58	18	8	7	15,5	10	6,5	25/25
918433	■	Black	50	(1/0)	10	3/8"	18,5	68	18	13,5	9,5	15,5	10	10,5	25/25
919313	■	Black	70	(2/0)	6	#12	17	67,5	20	9,5	6,5	18	12	6,5	25/25
919433	■	Black	70	(2/0)	10	3/8"	19	73,5	21	13	10	18	12	10,5	25/25
931373	■	Black	95	(3/0)	8	5/16"	19	76,5	24	12	8	19,5	13,8	8,5	25/25
931433	■	Black	95	(3/0)	10	3/8"	19	80,5	22	13	10	19,5	13,8	10,5	25/25
932373	■	Black	120	(4/0)	8	5/16"	19	83	22	12	9	21	15,5	8,5	25/25
932433	■	Black	120	(4/0)	10	3/8"	19	83	22	12	9	21	15,5	10,5	25/25
933373	■	Black	150	(300)	8	5/16"	19	93,5	30	17	9	23	17	8,4	25/25
933433	■	Black	150	(300)	10	3/8"	19	93,5	30	17	9	23	17	10,5	25/25
934493	■	Black	185	(400)	12	1/2"	31	110	32	17	14	26	19	13	25/25
935493	■	Black	240	(500)	12	1/2"	31,5	119	39	17	14	30	21,5	13	25/25

