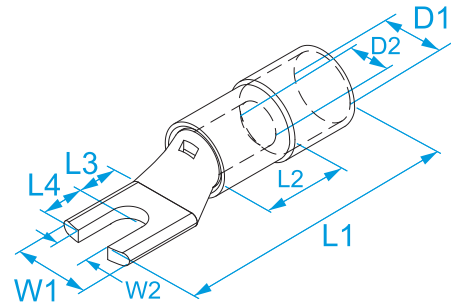


**Product family:** Terminals - Fork and pin terminals  
**Code:** 004201, 004261, 005231, 005261  
**Description:** TERMINAL LUGS FOR COPPER CONDUCTORS · NYLON INSULATED · BLACK · FORK

**Image:**

**Technical Drawing:**

**Specifications:**

**TERMINAL MATERIAL:** tinned copper  
**INSULATION MATERIAL:** polyamide (PA 6.6)  
**INSULATION SELF-EXTINGUISHING GRADE:** UL 94 V0  
**OPERATING TEMPERATURE:** 125 °C max

Code	Color	Section (mm <sup>2</sup> )	Section (AWG/MCM)	For screw Ø screw (mm)	For screw Stud size	W1 (mm)	W2 (mm)	L1 (mm)	L2 (mm)	L3 (mm)	L4 (mm)	D1 (mm)	D2 (mm)		
004201	■	Black	10	(8)	4	#8	10	4,3	42	9,5	8	7	8,2	5	100/100
004261	■	Black	10	(8)	5	#10	10	5,3	42	9,5	8	7	8,2	5	
005231	■	Black	16	(6)	4	#8	11,5	4,3	47	11	9,5	8	9	6	100/100
005261	■	Black	16	(6)	5	#10	11,5	5,3	47	11	9,5	8	9	6	

**HALOGEN FREE**
 125 °C

**V0**