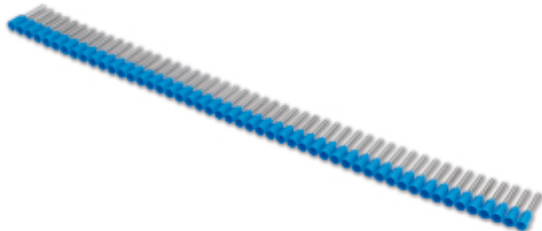
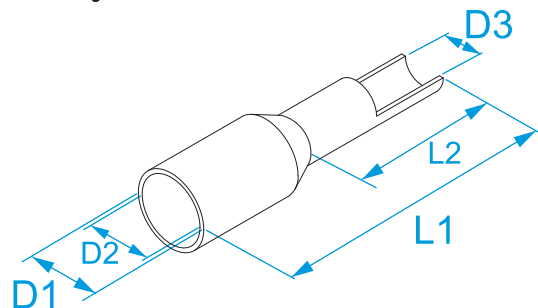


**Product family:** Terminals - End-sleeves terminals  
**Item code:** 90501, 90601, 90502, 90702, 90602, 90503, 90603, 90504, 90604, 90506, 90706  
**Description:** END-SLEEVES FOR COPPER CONDUCTORS · INSULATED · SINGLE CABLE · IN A STRAP

**Image**



**Technical drawing**



**Specifications**

**TERMINAL MATERIAL:** tinned copper  
**INSULATION MATERIAL:** polypropylene (PP) without flame retardant  
**OPERATING TEMPERATURE:** 105°C max  
**ACCORDING TO STD.:** DIN 46228-4 (tubular ferrules with plastic sleeve), UL486F (bare and covered ferrules)

Code	Color	Standard color 1	Standard color 2	Color DIN 46228/4	Section (mm <sup>2</sup> )	Section (AWG/MCM)	L1 (mm)	L2 (mm)	D1 (mm)	D2 (mm)	D3 (mm)	
90501	Orange	√	-	-	0,5	(20)	14	8	3,1	2,6	1	500/2500
90601*	White	-	√	√	0,5	(20)	14	8	3,1	2,6	1	
90502	White	√	-	-	0,75	(18)	14	8	3,3	2,8	1,2	500/2500
90702	Light blue	-	√	-	0,75	(18)	14	8	3,3	2,8	1,2	
90602*	Grey	-	-	√	0,75	(18)	14	8	3,3	2,8	1,2	500/2500
90503	Yellow	√	-	-	1	(18)	14	8	3,5	3	1,4	
90603*	Red	-	√	√	1	(18)	14	8	3,5	3	1,4	500/2500
90504	Red	√	-	-	1,5	(16)	14	8	4	3,5	1,7	
90604*	Black	-	√	√	1,5	(16)	14	8	4	3,5	1,7	500/2500
90506*	Blue	√	-	√	2,5	(14)	14	8	4,7	4,2	2,2	
90706	Grey	-	√	-	2,5	(14)	14	8	4,7	4,2	2,2	500/2500



\* file n° E 506333

