



# Technical sheet

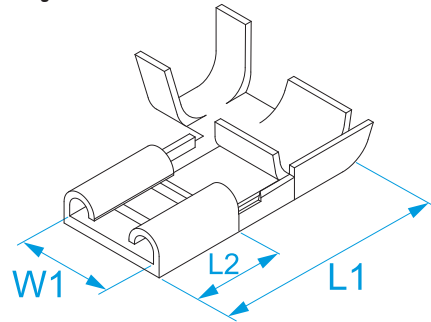
No.	<b>11TD01B</b>
Issue	<b>V02.0</b>

**Product family:** Terminals - Uninsulated quick-connect terminals  
**Item code:** 01195, 01196, 02195, 02196, 01295, 01296, 02295, 02296  
**Description:** QUICK-CONNECT TERMINALS · UNINSULATED · FEMALE · FLAG TYPE

**Image**



**Technical drawing**



**Specifications**

**TERMINAL MATERIAL:** tinned/passivated brass  
**ACCORDING TO STD.:** EN 61210: 2010-11  
**OPERATING TEMPERATURE:** da -40 °C a +110 °C

Code	Material	Execution	Section (mm <sup>2</sup> )	Section (AWG)	For male (mm)	For male (°)	W1 (mm)	L1 (mm)	L2 (mm)	
01195	passivated brass	loose	0.5 ÷ 1	(20 - 18)	6.3 x 0.8	0.250x0.032	6,6	15	7,6	200/2000
01196	tinned brass	loose	0.5 ÷ 1	(20 - 18)	6.3 x 0.8	0.250x0.032	6,6	15	7,6	
02195	passivated brass	reel	0.5 ÷ 1	(20 - 18)	6.3 x 0.8	0.250x0.032	6,6	15	7,6	5500/5500
02196	tinned brass	reel	0.5 ÷ 1	(20 - 18)	6.3 x 0.8	0.250x0.032	6,6	15	7,6	
01295	passivated brass	loose	1.5 ÷ 2.5	(16 - 14)	6.3 x 0.8	0.250x0.032	6,6	15	7,6	100/1000
01296	tinned brass	loose	1.5 ÷ 2.5	(16 - 14)	6.3 x 0.8	0.250x0.032	6,6	15	7,6	
02295	passivated brass	reel	1.5 ÷ 2.5	(16 - 14)	6.3 x 0.8	0.250x0.032	6,6	15	7,6	5000/5000
02296	tinned brass	reel	1.5 ÷ 2.5	(16 - 14)	6.3 x 0.8	0.250x0.032	6,6	15	7,6	

