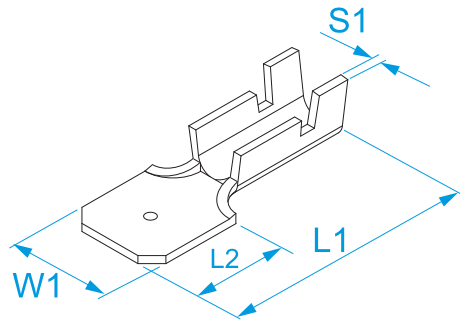


Product family: Terminals - Uninsulated quick-connect terminals
Item code: 01180, 01181, 02180, 02181, 01280, 01281, 02280, 02281
Description: QUICK-CONNECT TERMINALS · UNINSULATED · MALE

Image



Technical drawing



Specifications

TERMINAL MATERIAL: tinned/passivated brass
ACCORDING TO STD.: EN 61210: 2010-11
OPERATING TEMPERATURE: da -40 °C a +110 °C

Code	Material	Execution	Section (mm ²)	Section (AWG/MCM)	Male (mm)	Male (")	W1 (mm)	L1 (mm)	L2 (mm)	S1 (mm)	
01180	passivated brass	loose	0.5 ÷ 1	(20 - 18)	6.3 x 0.8	0.250x0.032	6,3	20,6	8	0,8	200/2000
01181	tinned brass	loose	0.5 ÷ 1	(20 - 18)	6.3 x 0.8	0.250x0.032	6,3	20,6	8,2	0,8	
02180	passivated brass	reel	0.5 ÷ 1	(20 - 18)	6.3 x 0.8	0.250x0.032	6,3	20,6	8	0,8	6000/6000
02181	tinned brass	reel	0.5 ÷ 1	(20 - 18)	6.3 x 0.8	0.250x0.032	6,3	20,6	8	0,8	
01280	passivated brass	loose	1 ÷ 2.5	(18 - 14)	6.3 x 0.8	0.250x0.032	6,3	20,6	8,2	0,8	200/2000
01281	tinned brass	loose	1 ÷ 2.5	(18 - 14)	6.3 x 0.8	0.250x0.032	6,3	20,6	8,2	0,8	
02280	passivated brass	reel	1 ÷ 2.5	(18 - 14)	6.3 x 0.8	0.250x0.032	6,3	20,6	8,2	0,8	6000/6000
02281	tinned brass	reel	1 ÷ 2.5	(18 - 14)	6.3 x 0.8	0.250x0.032	6,3	20,6	8,2	0,8	

