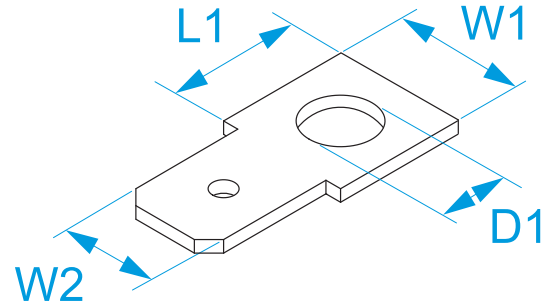


**Product family:** Terminals - Uninsulated quick-connect terminals  
**Item code:** 01002, 02002, 01005, 02005, 01009, 02009  
**Description:** QUICK-CONNECT TERMINALS · UNINSULATED · MALE-PANEL

**Image**



**Technical drawing**



**Specifications**

**TERMINAL MATERIAL:** tinned/passivated brass  
**ACCORDING TO STD.:** EN 61210: 2010-11  
**OPERATING TEMPERATURE:** da -40 °C a +110 °C

Code	Material	Male (mm)	Male (")	W1 (mm)	W2 (mm)	L1 (mm)	D1 (mm)	
01002	passivated brass	6.3 x 0.8	0.250x0.032	8	6,3	6,3	4,3	100/1000
02002	tinned brass	6.3 x 0.8	0.250x0.032	8	6,3	6,3	4,3	
01005	passivated brass	6.3 x 0.8	0.250x0.032	8	6,3	6,3	4,3	
02005	tinned brass	6.3 x 0.8	0.250x0.032	8	6,3	6,3	4,3	
01009	passivated brass	6.3 x 0.8	0.250x0.032	8	6,3	6,3	4,3	
02009	tinned brass	6.3 x 0.8	0.250x0.032	8	6,3	6,3	4,3	

