



Technical sheet

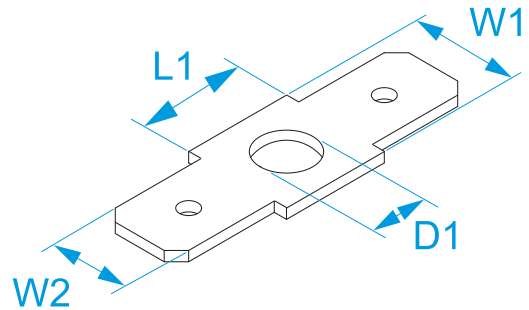
No. **11TD01E**
 Issue **V01.3**

Product family: Terminals - Uninsulated quick-connect terminals
Item code: 01011, 02011, 01013, 02013, 01014, 02014
Description: QUICK-CONNECT TERMINALS · UNINSULATED · MALE-PANEL-MALE

Image



Technical drawing



Specifications

TERMINAL MATERIAL: tinned/passivated brass
ACCORDING TO STD.: EN 61210: 2010-11
OPERATING TEMPERATURE: da -40 °C a +110 °C

Code	Material	Male (mm)	Male (°)	W1 (mm)	W2 (mm)	L1 (mm)	D1 (mm)	
01011	passivated brass	6.3 x 0.8	0.250x0.032	8	6,3	6,3	4,3	100/1000
02011	tinned brass	6.3 x 0.8	0.250x0.032	8	6,3	6,3	4,3	
01013	passivated brass	6.3 x 0.8	0.250x0.032	8	6,3	6,3	4,3	
02013	tinned brass	6.3 x 0.8	0.250x0.032	8	6,3	6,3	4,3	
01014	passivated brass	6.3 x 0.8	0.250x0.032	8	6,3	6,3	4,3	
02014	tinned brass	6.3 x 0.8	0.250x0.032	8	6,3	6,3	4,3	

