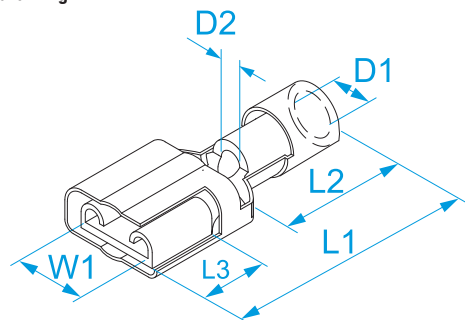


Product family: Terminals - Insulated quick-connect terminals
Item code: 00191, 00192, 00193, 00291, 00292, 00293, 00392
Description: QUICK-CONNECT TERMINALS · PVC INSULATED AND ANTI-VIBRATING · FEMALE TOTALLY INSULATED

Image



Technical drawing



Specifications

TERMINAL MATERIAL: tinned brass
END-SLEEVE MATERIAL: copper
INSULATION MATERIAL: polyvinylchloride (PVC)
OPERATING TEMPERATURE: 75 °C max
INSULATION SELF-EXTINGUISHING GRADE: UL 94 V0
RATED VOLTAGE: 300V max
HOW TO ASSEMBLE: double crimping

Code	Color	Section (mm ²)	Section (AWG/MCM)	For male (mm)	For male (")	W1 (mm)	L1 (mm)	L2 (mm)	L3 (mm)	D1 (mm)	D2 (mm)	
00191*	Red	0.25 ÷ 1.5	(22 - 16)	6.3 x 0.8	0.250x0.032	6,6	22	11	7,8	3,8	1,9	
00192*	Red	0.25 ÷ 1.5	(22 - 16)	4.8 x 0.8	0.187x0.032	5	20	11	6	3,8	1,9	100/1000
00193	Red	0.25 ÷ 1.5	(22 - 16)	4.8 x 0.5	0.187x0.020	5	20	11	6	3,8	1,9	
00291*	Blue	1.5 ÷ 2.5	(16 - 14)	6.3 x 0.8	0.250x0.032	6,6	22	11	7,8	4,5	2,4	50/500
00292*	Blue	1.5 ÷ 2.5	(16 - 14)	4.8 x 0.8	0.187x0.032	5	20	11	6	4,5	2,4	100/1000
00293	Blue	1.5 ÷ 2.5	(16 - 14)	4.8 x 0.5	0.187x0.020	5	20	11	6	4,5	2,4	
00392*	Yellow	4 ÷ 6	(12 - 10)	6.3 x 0.8	0.250x0.032	6,6	25	11	7,8	6	3,5	50/500

