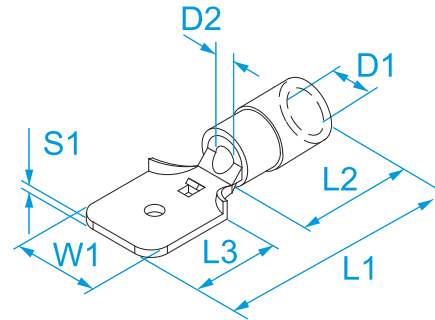


**Product family:** Terminals - Insulated quick-connect terminals  
**Item code:** 00180, 00280, 00380  
**Description:** QUICK-CONNECT TERMINALS - PVC INSULATED AND ANTI-VIBRATING - MALE

**Image**



**Technical drawing**



**Specifications**

**TERMINAL MATERIAL:** tinned brass  
**END-SLEEVE MATERIAL:** copper  
**INSULATION MATERIAL:** polyvinylchloride (PVC)  
**OPERATING TEMPERATURE:** 75 °C max  
**INSULATION SELF-EXTINGUISHING GRADE:** UL 94 V0  
**RATED VOLTAGE:** 300V max  
**HOW TO ASSEMBLE:** double crimping

Code	Color	Section (mm <sup>2</sup> )	Section (AWG/MCM)	Male (mm)	Male (")	W1 (mm)	L1 (mm)	L2 (mm)	L3 (mm)	D1 (mm)	D2 (mm)	S1 (mm)	
00180		0.25 ÷ 1.5	(22 - 16)	6.3 x 0.8	0.250x0.032	6,3	21	10	8	3,8	1,9	0,8	100/1000
00280		1.5 ÷ 2.5	(16 - 14)	6.3 x 0.8	0.250x0.032	6,3	21	10	8	4,3	2,4	0,8	100/1000
00380		4 ÷ 6	(12 - 10)	6.3 x 0.8	0.250x0.032	6,3	24,5	13,5	8	6	3,5	0,8	50/500

