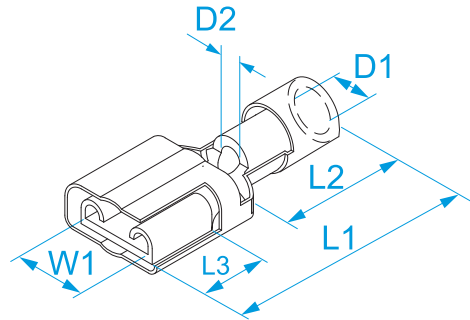


Product family: Terminals - Insulated quick-connect terminals
Item code: 80191, 80192, 80193, 80390, 80395, 80291, 80292, 80293, 80392
Description: QUICK-CONNECT TERMINALS · NYLON INSULATED AND ANTI-VIBRATING · TOTALLY INSULATED FEMALE

Image



Technical drawing



Specifications

TERMINAL MATERIAL: tinned brass
END-SLEEVE MATERIAL: copper
INSULATION MATERIAL: polyamide (PA 6.6)
OPERATING TEMPERATURE: 105 °C max
INSULATION SELF-EXTINGUISHING GRADE: UL 94 V2
RATED VOLTAGE: 300V max
HOW TO ASSEMBLE: double crimping

Code	Color	Section (mm ²)	Section (AWG/MCM)	For male (mm)	For male (")	W1 (mm)	L1 (mm)	L2 (mm)	L3 (mm)	D1 (mm)	D2 (mm)	
80191	Red	0.25 ÷ 1.5	(22 - 16)	6.3 x 0.8	0.250x0.032	6,6	22	11	7,8	3,8	1,9	
80192	Red	0.25 ÷ 1.5	(22 - 16)	4.8 x 0.8	0.187x0.032	5	20,5	10,5	6,4	3,8	1,9	
80193	Red	0.25 ÷ 1.5	(22 - 16)	4.8 x 0.5	0.187x0.020	5	20,5	10,5	6,4	3,8	1,9	100/1000
80390	Red	0.25 ÷ 1.5	(22 - 16)	2.8 x 0.8	0.110x0.032	3,2	19,5	8,5	6	3,8	1,9	
80395	Red	0.25 ÷ 1.5	(22 - 16)	2.8 x 0.5	0.110x0.020	3,2	19,5	8,5	6	3,8	1,9	
80291	Blue	1.5 ÷ 2.5	(16 - 14)	6.3 x 0.8	0.250x0.032	6,6	22	11	7,8	4,5	2,4	50/500
80292	Blue	1.5 ÷ 2.5	(16 - 14)	4.8 x 0.8	0.187x0.032	5	20,5	10,5	6,4	4,5	2,4	100/1000
80293	Blue	1.5 ÷ 2.5	(16 - 14)	4.8 x 0.5	0.187x0.020	5	20,5	10,5	6,4	4,5	2,4	
80392	Yellow	4 ÷ 6	(12 - 10)	6.3 x 0.8	0.250x0.032	6,6	24	13	7,8	6	3,5	50/500

