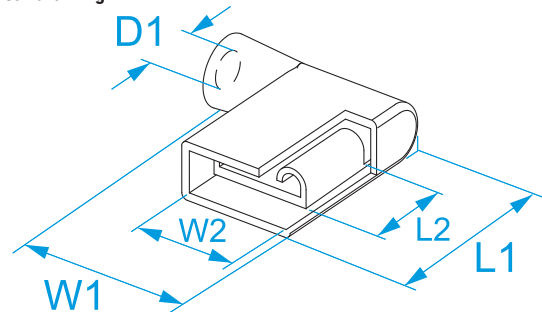


**Product family:** Terminals - Insulated quick-connect terminals  
**Item code:** 80195, 80295  
**Description:** QUICK-CONNECT TERMINALS · NYLON INSULATED · TOTALLY INSULATED FEMALE · FLAG TYPE

**Image**





**Technical drawing**



**Specifications**

**TERMINAL MATERIAL:** tinned brass  
**INSULATION MATERIAL:** polyamide (PA 6.6)  
**OPERATING TEMPERATURE:** 105 °C max  
**INSULATION SELF-EXTINGUISHING GRADE:** UL 94 V2  
**RATED VOLTAGE:** 300V max  
**HOW TO ASSEMBLE:** double crimping

Code	Color	Section (mm <sup>2</sup> )	Section (AWG)	For male (mm)	For male (")	W1 (mm)	W2 (mm)	L1 (mm)	L2 (mm)	D1 (mm)		
80195		Red	0.5 ÷ 1.5	(20 - 16)	6.3 x 0.8	0.250x0.032	15	6,6	16	7,9	4	100/1000
80295		Blue	1.5 ÷ 2.5	(16 - 14)	6.3 x 0.8	0.250x0.032	15	6,6	16	7,9	4,5	100/1000

