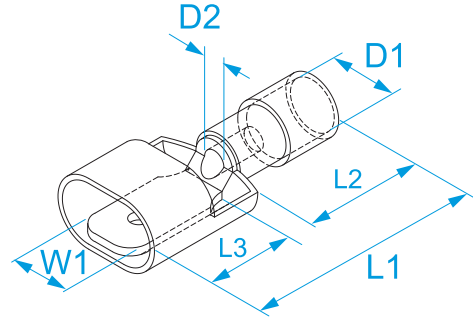


**Product family:** Terminals - Insulated quick-connect terminals  
**Item code:** 80180, 80280, 80380  
**Description:** QUICK-CONNECT TERMINALS · NYLON INSULATED AND ANTI-VIBRATING · TOTALLY INSULATED MALE

**Image**



**Technical drawing**



**Specifications**

**TERMINAL MATERIAL:** tinned brass  
**END-SLEEVE MATERIAL:** copper  
**INSULATION MATERIAL:** polyamide (PA 6.6)  
**OPERATING TEMPERATURE:** 105 °C max  
**INSULATION SELF-EXTINGUISHING GRADE:** UL 94 V2  
**RATED VOLTAGE:** 300V max  
**HOW TO ASSEMBLE:** double crimping

Code	Color	Section (mm <sup>2</sup> )	Section (AWG/MCM)	Male (mm)	Male (")	W1 (mm)	L1 (mm)	L2 (mm)	L3 (mm)	D1 (mm)	D2 (mm)	
80180		0.25 ÷ 1.5	(22 - 16)	6.3 x 0.8	0.250x0.032	6,3	23	11	8	3,8	1,9	100/1000
80280		1.5 ÷ 2.5	(16 - 14)	6.3 x 0.8	0.250x0.032	6,3	23	11	8	3,8	1,9	50/500
80380		4 ÷ 6	(12 - 10)	6.3 x 0.8	0.250x0.032	6,3	26	13	8	6	3,5	50/500

