



## Technical sheet

No. **11TE01A**

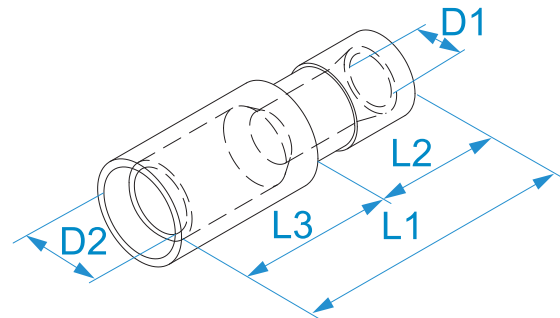
Issue **V01.0**

**Product family:** Terminals - Insulated quick-connect terminals  
**Item code:** 00140, 00240, 00244, 00340  
**Description:** CYLINDER PLUG - PVC INSULATED AND ANTI-VIBRATING - FEMALE

Image



Technical drawing



### Specifications

**TERMINAL MATERIAL:** tinned brass  
**END-SLEEVE MATERIAL:** copper  
**INSULATION MATERIAL:** polyvinylchloride (PVC)  
**OPERATING TEMPERATURE:** 75 °C max  
**INSULATION SELF-EXTINGUISHING GRADE:** UL 94 V0  
**RATED VOLTAGE:** 300V max  
**HOW TO ASSEMBLE:** double crimping

Code	Color	Section (mm <sup>2</sup> )	Section (AWG/MCM)	L1 (mm)	L2 (mm)	L3 (mm)	D1 (mm)	D2 (mm)		
00140*		Red	0.25 ÷ 1.5	(22 - 16)	23,5	9,5	8,4	3,8	4	100/1000
00240*		Blue	1.5 ÷ 2.5	(16 - 14)	23,5	9,5	8,7	4,3	5	50/500
00244*		Blue	1.5 ÷ 2.5	(16 - 14)	23,5	9,5	8,7	4,3	4	50/500
00340		Yellow	4 ÷ 6	(12 - 10)	25	12	8,2	6,2	5	50/500

**us** \* file n° E 137735

**V0**