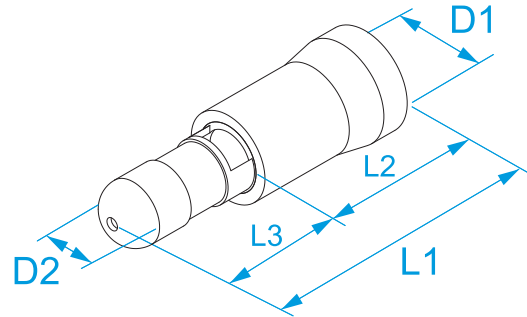


Product family: Terminals - Insulated quick-connect terminals
Item code: 00130, 00230, 00234, 00330
Description: CYLINDER PLUG - PVC INSULATED AND ANTI-VIBRATING - MALE

Image



Technical drawing



Specifications

TERMINAL MATERIAL: tinned brass
END-SLEEVE MATERIAL: copper
INSULATION MATERIAL: polyvinylchloride (PVC)
OPERATING TEMPERATURE: 75 °C max
INSULATION SELF-EXTINGUISHING GRADE: UL 94 V0
RATED VOLTAGE: 300V max
HOW TO ASSEMBLE: double crimping

| Code | Color | Section (mm ²) | Section (AWG/MCM) | L1 (mm) | L2 (mm) | L3 (mm) | D1 (mm) | D2 (mm) | | |
|--------|-------|----------------------------|-------------------|-----------|---------|---------|---------|---------|---|----------|
| 00130* | | Red | 0.25 ÷ 1.5 | (22 - 16) | 21 | 10 | 8,7 | 5,5 | 4 | 100/1000 |
| 00230* | | Blue | 1.5 ÷ 2.5 | (16 - 14) | 21 | 10 | 8,7 | 6 | 5 | 100/1000 |
| 00234* | | Blue | 1.5 ÷ 2.5 | (16 - 14) | 20,7 | 10 | 8,7 | 6 | 4 | 100/1000 |
| 00330 | | Yellow | 4 ÷ 6 | (12 - 10) | 24,7 | 14 | 8,6 | 6,7 | 5 | 50/500 |