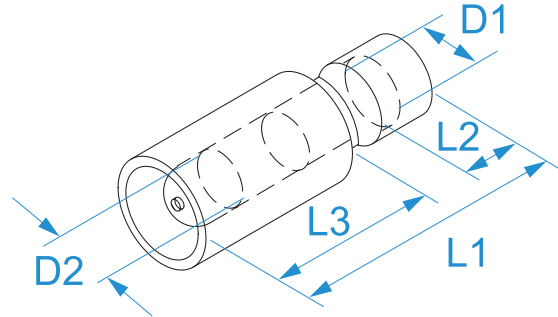


Product family: Terminals - Insulated quick-connect terminals
Item code: 80130, 80230
Description: CYLINDER PLUG - NYLON INSULATED AND ANTI-VIBRATING - MALE

Image



Technical drawing



Specifications

TERMINAL MATERIAL: tinned brass
END-SLEEVE MATERIAL: copper
INSULATION MATERIAL: polyamide (PA 6.6)
OPERATING TEMPERATURE: 105 °C max
INSULATION SELF-EXTINGUISHING GRADE: UL 94 V2
RATED VOLTAGE: 300V max
HOW TO ASSEMBLE: double crimping

Code	Color	Section (mm ²)	Section (AWG/MCM)	L1 (mm)	L2 (mm)	L3 (mm)	D1 (mm)	D2 (mm)		
80130		Red	0.25 ÷ 1.5	(22 - 16)	24	11	9	4,2	4	50/500
80230		Blue	1.5 ÷ 2.5	(16 - 14)	24	11	9	4,8	5	50/500

