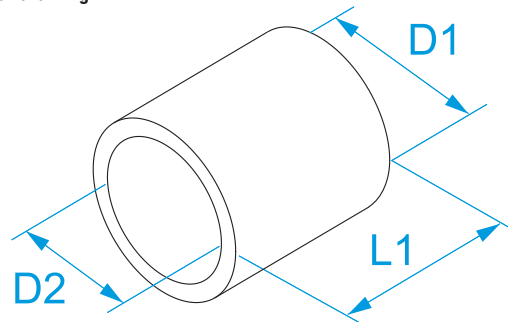


**Product family:** Terminals - Junction connectors  
**Item code:** 01162, 01262, 01362  
**Description:** PARALLEL CONNECTORS - UNINSULATED

**Image**



**Technical drawing**



**Specifications**

**TERMINAL MATERIAL:** tinned copper  
**OPERATING TEMPERATURE:** from -50 °C to +150 °C  
**HOW TO ASSEMBLE:** overlap the two conductors

Code	Section (mm <sup>2</sup> )	Section (AWG/MCM)	L1 (mm)	D1 (mm)	D2 (mm)	
01162	0.25 ÷ 1.5	(22 - 16)	8	3,3	1,8	200/2000
01262	1.5 ÷ 2.5	(16 - 14)	8	4,1	2,5	
01362	4 ÷ 6	(12 - 10)	8,5	5,5	3,7	