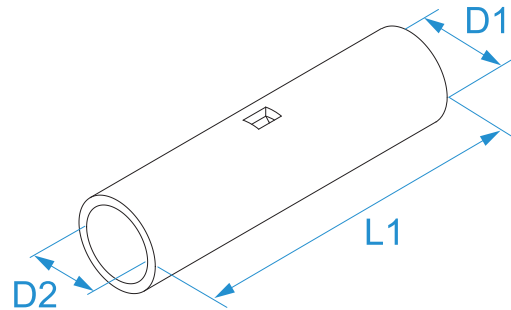


**Product family:** Terminals - Junction connectors  
**Item code:** 81460, 81560, 81660, 81760, 81860, 81960, 83160, 83260, 83360, 83460, 83560  
**Description:** BUTT CONNECTORS · UNINSULATED · DIN 46267/1

Image



Technical drawing



### Specifications

**TERMINAL MATERIAL:** tinned copper  
**ACCORDING TO STANDARD:** DIN 46267/1  
**OPERATING TEMPERATURE:** from -50 °C to +150 °C  
**TYPE:** with central inspection hole and flush for a right insertion of the conductor.  
**DIMENSIONS:** compliant to DIN 46267/1 standard

Code	Section (mm <sup>2</sup> )	Section (AWG/MCM)	Indent (°)	L1 (mm)	D1 (mm)	D2 (mm)	
81460	10	(8)	6	30	6	4,5	
81560	16	(6)	8	50	8,5	5,5	100/100
81660	25	(4)	10	50	10	7	
81760	35	(2)	12	50	12,5	8,5	
81860	50	(1/0)	14	56	14	10	50/50
81960	70	(2/0)	16	56	16	12	
83160	95	(3/0)	18	70	19	13,8	
83260	120	(4/0)	20	70	21	15,5	25/25
83360	150	(300)	22	80	23,5	17	
83460	185	(400)	25	85	25,5	19	10/10
83560	240	(500)	28	90	29	21,5	