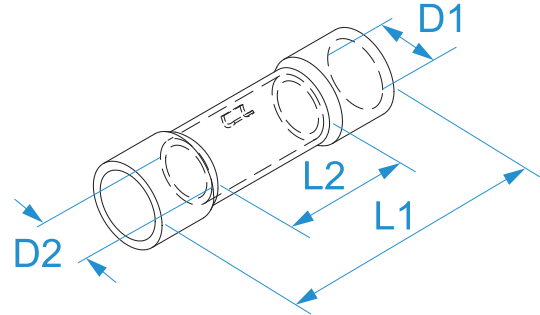


Product family: Terminals - Insulated connectors
Item code: 00160, 00260, 00360
Description: BUTT CONNECTORS · PVC INSULATED

Image






Technical drawing



Specifications

TERMINAL MATERIAL: tinned copper
INSULATION MATERIAL: polyvinylchloride (PVC)
INSULATION UL 94 V2
SELF-EXTINGUISHING GRADE:
OPERATING TEMPERATURE: 75 °C max
MAX RATED VOLTAGE: 300
TYPE: with central flush for a right insertion of the conductor.

Code	Color	Section (mm ²)	Section (AWG/MCM)	Current (A)	L1 (mm)	L2 (mm)	D1 (mm)	D2 (mm)	
00160	 Red	0.25 ÷ 1.5	(22 - 16)	17	25	15	4,2	1,8	100/1000
00260	 Blue	1.5 ÷ 2.5	(16 - 14)	30	26,5	15	4,8	2,5	
00360	 Yellow	4 ÷ 6	(12 - 10)	50	27	15	6,5	3,7	50/500

