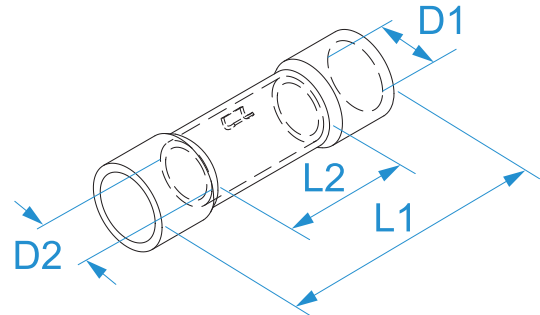


**Product family:** Terminals - Insulated connectors  
**Item code:** 90160, 90260, 90360  
**Description:** BUTT CONNECTORS · WITH HEAT SHRINKING INSULATION

**Image**






**Technical drawing**



**Specifications**

**TERMINAL MATERIAL:** tinned copper  
**INSULATION MATERIAL:** PE thermo-shrinkable with sealing adhesive  
**OPERATING TEMPERATURE:** from -55 °C to +105 °C  
**SHRINKING TEMP:** 150  
**MAX RATED VOLTAGE:** 600  
**TYPE:** with central flush for a right insertion of the conductor.  
**HOW TO ASSEMBLE:** use heat air gun 1108

Code	Color	Section (mm <sup>2</sup> )	Section (AWG/MCM)	L1 (mm)	L2 (mm)	D1 (mm)	D2 (mm)	
90160	 Red	0.5 ÷ 1.5	(20 - 16)	35	15	4,5	1,8	100/1000
90260	 Blue	1.5 ÷ 2.5	(16 - 14)	37	15	5,5	2,5	
90360	 Yellow	4 ÷ 6	(12 - 10)	41	15	6,5	3,7	

