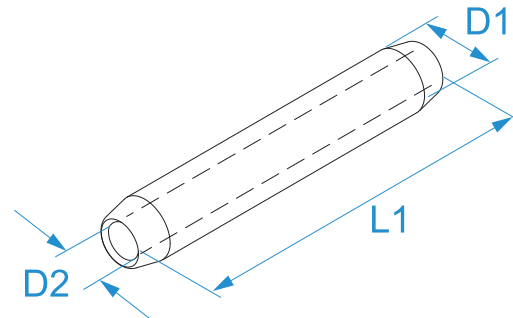


Product family: Terminals - Medium Voltage terminals
Item code: 72025, 72035, 72050, 72070, 72095, 72120, 72150, 72200, 72240, 72300, 72400, 72500, 72630
Description: JOINTS · FOR COPPER CONDUCTORS · MEDIUM VOLTAGE

Image



Technical drawing



Specifications

TERMINAL MATERIAL: tinned copper
OPERATING TEMPERATURE: from -50 °C to +150 °C
VOLTAGE: up to 35 kV
CHARACTERISTIC: conical edge at both sides

Code	Sezione conduttore non compatto circolare o settoriale	Conductor compacted circular section	Indent (mm)	L1 (mm)	D1 (mm)	D2 (mm)	
72025	25	35	10	60	10	7	
72035	35	-	12	60	13	8,4	
72050	50	-	12	60	13	9,5	
72070	70	-	16	70	18	11,5	25/25
72095	95	-	20	80	20	13,5	
72120	120 - 125	150	22	80	23	15,3	
72150	150	160	22	80	23,5	17	
72200	200	240	28	100	30	20	
72240	240	300 - 315	28	100	30	21,8	10/10
72300	300 - 315	-	28	104	30	24	
72400	400	-	35	116	35	27	
72500	500	-	38	118	38	30	5/5
72630	630	-	42	130	42	33,6	