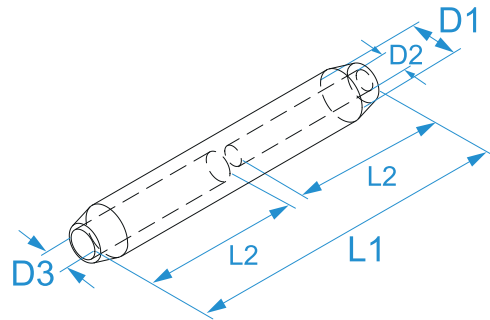


Product family: Terminals - Aluminium terminals
Item code: 70232, 70243, 70253, 70254, 70264, 70265, 70275, 70276, 70284, 70285, 70286, 70287, 70297, 70298
Description: REDUCTION JOINTS · FOR ALUMINUM OR COPPER CONDUCTORS · MEDIUM VOLTAGE

Image




Technical drawing



Specifications

TERMINAL MATERIAL: aluminum with no less than 99.5% purity
ACCORDING TO STD.: DIN 48201
OPERATING TEMPERATURE: from -50 °C to +150 °C
VOLTAGE: up to 35 kV
PROTECTION: the conductor housing is filled with grease (dropping point 90°C) and plugged with a plastic cap to avoid oxidation.
TYPE: with central diaphragm for a right insertion of the conductor.
The diaphragm is sealed to avoid the mixture of paper filled cables to get in touch with cables with solid insulation.
APPLICATION: connection of Al conductors to smaller Al or Cu conductors

Code	Section (mm²)	Section (AWG/MCM)	Indent (mm)	L1 (mm)	L2 (mm)	D1 (mm)	D2 (mm)	D3 (mm)	
70232	50 ÷ 35	(1/0 - 2)	20	138	67	20	8	9	
70243	70 ÷ 50	(2/0 - 1/0)	20	138	67	20	9	11	
70253	95 ÷ 50	(3/0 - 1/0)	20	138	67	20	9	12,5	
70254	95 ÷ 70	(3/0 - 2/0)	20	138	67	20	11	13,7	
70264	120 ÷ 70	(4/0 - 2/0)	25	164	80	25	11	13,7	
70265	120 ÷ 95	(4/0 - 3/0)	25	164	80	25	12,5	15,5	
70275	150 ÷ 95	(300 - 3/0)	25	164	80	25	12,5	15,5	
70276	150 ÷ 120	(300 - 4/0)	25	164	80	25	13,7	17	10/10
70284	185 ÷ 50	(400 - 1/0)	32	176	86	32	9	17	
70285	185 ÷ 95	(400 - 3/0)	32	176	86	32	12,5	17	
70286	185 ÷ 120	(400 - 4/0)	32	176	86	32	13,7	17	
70287	185 ÷ 150	(400 - 300)	32	176	86	32	15,5	17	
70297	240 ÷ 150	(500 - 300)	32	176	86	32	15,5	19,5	
70298	240 ÷ 185	(500 - 400)	32	176	86	32	17	19,5	