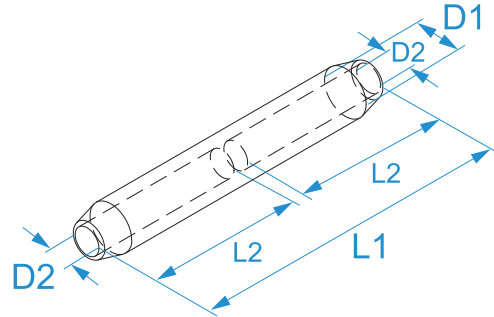


**Product family:** Terminals - Aluminium terminals  
**Item code:** 70402, 70403, 70404, 70405, 70406, 70407, 70408, 70409  
**Description:** JOINTS · FOR ALUMINUM CONDUCTORS · DIN 48201

**Image**



**Technical drawing**



**Specifications**

**TERMINAL MATERIAL:** aluminum 1050 A EN573-3 with no less than 99.5% purity  
**ACCORDING TO STD.:** DIN 48201  
**OPERATING TEMPERATURE:** from -50 °C to +150 °C  
**PROTECTION:** the conductor housing is filled with grease (dropping point 90°C) and plugged with a plastic cap to avoid oxidation.  
**TYPE:** with central and sealed diaphragm for a right insertion of the conductor.

Code	Section (mm <sup>2</sup> )	Section (AWG/MCM)	Indent (mm)	L1 (mm)	L2 (mm)	D1 (mm)	D2 (mm)	
70402	35 ÷ 35	(2 - 2)	13	95	45,5	14	8	
70403	50 ÷ 50	(1/0 - 1/0)	15	95	45,5	16	9,8	
70404	70 ÷ 70	(2/0 - 2/0)	20	100	48	18,5	11,2	
70405	95 ÷ 95	(3/0 - 3/0)	21	105	50,5	22	13,5	
70406	120 ÷ 120	(4/0 - 4/0)	22	110	52,5	23	14,7	10/10
70407	150 ÷ 150	(300 - 300)	25	110	52,5	25	16,3	
70408	185 ÷ 185	(400 - 400)	28	130	62	28,5	18,3	
70409	240 ÷ 240	(500 - 500)	32	130	62	32	21	