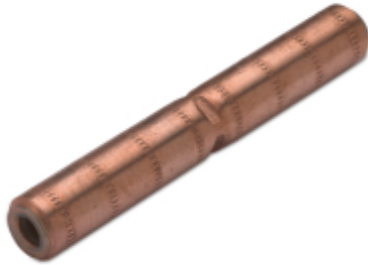
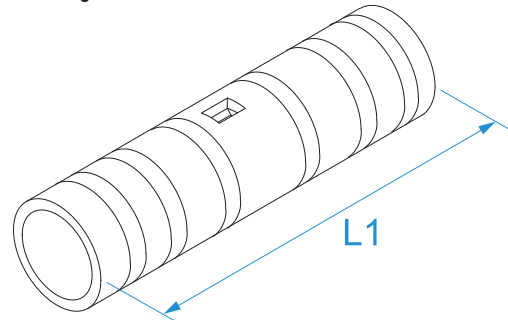


**Product family:** Terminals - Medium Voltage terminals  
**Item code:** 75010, 75016, 75017, 75025, 75035, 75050, 75070, 75095  
**Description:** FULL TENSILE JOINTS - FOR COPPER CONDUCTORS AND AERIAL LINES

Image




Technical drawing



**Specifications**

**TERMINAL MATERIAL:** electrolytic copper  
**CHARACTERISTIC:** high mechanical resistance to traction  
**APPLICATION:** connection of medium voltage aerial lines

Code	Section (mm <sup>2</sup> )	Section (AWG/MCM)	Wires (# Wires)	conductor external Ø (mm)	L1 (mm)	
75010	10	(8)	7 x 1.35	4.05	62	
75016	16	(6)	1 x 4.5	4.5	78	
75017	16	(6)	7 x 1.35	5.1	78	
75025	25	(4)	7 x 2.14	6.42	91	
75035	35	(2)	7 x 2.52	7.56	100	
75050	50	(1/0)	7 x 3, 19 x 1.80	9	125	
75070	63 ÷ 70	(2/0)	19 x 2, 19 x 2.14	10.5 - 10.70	125	
75095	95	(3/0)	19 x 2.52	12.6	189	

10/10