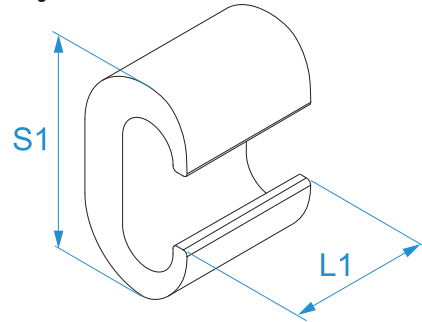


**Product family:** Terminals - C shunt and terminals for ground connection  
**Item code:** 01416, 01400, 01401, 01408, 01402, 01409, 01403, 01410, 01404, 01411, 01405, 01412, 01406, 01413, 01407, 01414, 01417, 01415, 01418  
**Description:** C SHUNT

**Image**



**Technical drawing**



**Specifications**

**TERMINAL MATERIAL:** copper  
**OPERATING TEMPERATURE:** from -50 °C to +150 °C  
**APPLICATION:** connectors for ground connections

Code	Section (mm <sup>2</sup> )	Section (AWG/MCM)	T/Straight shunt Primary (mm <sup>2</sup> )	T/Straight shunt Derivative (mm <sup>2</sup> )	Cross shunt Section (mm <sup>2</sup> )	L1 (mm)	S1 (mm)	
01416	6 ÷ 6	(10 - 10)	6 - 2.5	6 - 1.5	-	9	9,8	
01400	10 ÷ 10	(8 - 8)	10	10 - 1.5	-	12	12,6	
01401	16 ÷ 16	(6 - 6)	16	16 - 2.5	-	17,5	19,4	
01408	25 ÷ 10	(4 - 8)	25 - 16	10 - 1.5	-	17	19,8	100/100
01402	25 ÷ 25	(4 - 4)	25	25 - 16	-	17,5	21,4	
01409	35 ÷ 16	(2 - 6)	40 - 10	16 - 1.5	25 - 25	21,5	24,6	
01403	35 ÷ 35	(2 - 2)	40 - 35	40 - 25	35 - 35	21,5	26,6	
01410	50 ÷ 25	(1/0 - 4)	50	25 - 4	-	26,5	32,9	
01404	50 ÷ 50	(1/0 - 1/0)	50	50 - 35	-	26,5	33	
01411	70 ÷ 35	(2/0 - 2)	70 - 63	40 - 4	-	27	33	
01405	70 ÷ 70	(2/0 - 2/0)	70 - 50	70 - 35	50 - 50	27	34	
01412	95 ÷ 35	(3/0 - 2)	95 - 63	40 - 4	-	30	40,5	
01406	95 ÷ 95	(3/0 - 3/0)	100 - 80	100 - 63	-	30	41	25/25
01413	95 ÷ 70	(3/0 - 2/0)	100 - 80	70 - 50	63 - 63, 70 - 70	30	41	
01407	120 ÷ 120	(4/0 - 4/0)	125 - 110	125 - 25	-	30	45	
01414	150 ÷ 120	(300 - 4/0)	160 - 150	125 - 25	95 - 95, 120 - 120	31	45	
01417	150 ÷ 150	(300 - 300)	150	150 - 63	-	30	45,3	
01415	185 ÷ 95	(400 - 3/0)	185	100 - 16	125 - 125	31	45	
01418	185 ÷ 185	(400 - 400)	185 - 120	185 - 120	-	22,6	68	15/15