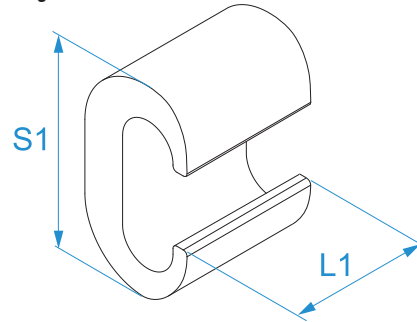


Product family: Terminals - C shunt and terminals for ground connection
Item code: 014161, 014001, 014011, 014081, 014021, 014091, 014031, 014101, 014041, 014111, 014051, 014121, 014061, 014131, 014071, 014141, 014171, 014151, 014181
Description: C SHUNT - TINNED COPPER

Image



Technical drawing



Specifications

TERMINAL MATERIAL: tinned copper
OPERATING TEMPERATURE: from -50 °C to +150 °C
APPLICATION: connectors for ground connections

Code	Section (mm ²)	Section (AWG/MCM)	T/Straight shunt Primary (mm ²)	T/Straight shunt Derivative (mm ²)	Cross shunt Section (mm ²)	L1 (mm)	S1 (mm)	
014161	6 ÷ 6	(10 - 10)	6 - 2.5	6 - 1.5	-	9	9,8	
014001	10 ÷ 10	(8 - 8)	10	10 - 1.5	-	12	12,6	
014011	16 ÷ 16	(6 - 6)	16	16 - 2.5	-	17,5	19,4	
014081	25 ÷ 10	(4 - 8)	25 - 16	10 - 1.5	-	17	19,8	100/100
014021	25 ÷ 25	(4 - 4)	25	25 - 16	-	17,5	21,4	
014091	35 ÷ 16	(2 - 6)	40 - 10	16 - 1.5	25 - 25	21,5	24,6	
014031	35 ÷ 35	(2 - 2)	40 - 35	40 - 25	35 - 35	21,5	26,6	
014101	50 ÷ 25	(1/0 - 4)	50	25 - 4	-	26,5	32,9	
014041	50 ÷ 50	(1/0 - 1/0)	50	50 - 35	-	26,5	33	
014111	70 ÷ 35	(2/0 - 2)	70 - 63	40 - 4	-	27	33	
014051	70 ÷ 70	(2/0 - 2/0)	70 - 50	70 - 35	50 - 50	27	34	
014121	95 ÷ 35	(3/0 - 2)	95 - 63	40 - 4	-	30	40,5	
014061	95 ÷ 95	(3/0 - 3/0)	100 - 80	100 - 63	-	30	41	25/25
014131	95 ÷ 70	(3/0 - 2/0)	100 - 80	70 - 50	63 - 63, 70 - 70	30	41	
014071	120 ÷ 120	(4/0 - 4/0)	125 - 110	125 - 25	-	30	45	
014141	150 ÷ 120	(300 - 4/0)	160 - 150	125 - 25	95 - 95, 120 - 120	31	45	
014171	150 ÷ 150	(300 - 300)	150	150 - 63	-	30	45,3	
014151	185 ÷ 95	(400 - 3/0)	185	100 - 16	125 - 125	31	45	
014181	185 ÷ 185	(400 - 400)	185 - 120	185 - 120	-	22,6	68	15/15