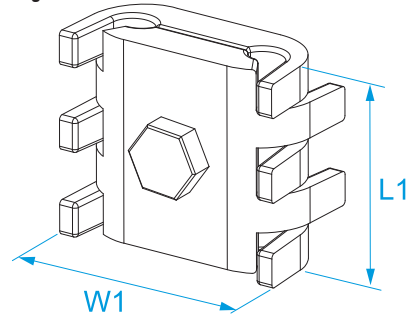


Product family: Screw connections - Universal comb lugs
Item code: 5251, 5252, 5253
Description: UNIVERSAL 1-BOLT COMB LUGS

Image




Technical drawing



Specifications

MATERIAL: die-cast brass
SECTION: main and derived conductor of the same section
OPERATING TEMPERATURE: from -50 °C to +150 °C
APPLICATIONS: grounding systems, to connect copper wire ropes or copper conductors suitable for earthing

Code	Section (mm ²)	Cable diameter (mm)	W1 (mm)	L1 (mm)	Screw	
5251	6 ÷ 16	3 ÷ 5	25,5	20,5	M6	100/100
5252	25 ÷ 50	6 ÷ 8	29,5	25	M8	50/50
5253	50 ÷ 70	9 ÷ 12	37,5	30	M8	

