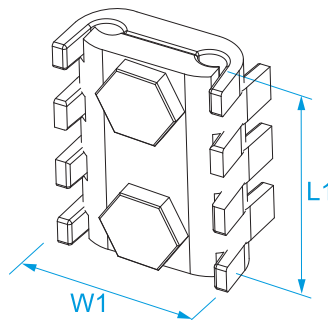


**Product family:** Screw connections - Universal comb lugs  
**Item code:** 5261, 5262, 5263, 5264, 5265, 5266  
**Description:** UNIVERSAL 2-BOLT COMB LUGS

**Image**




**Technical drawing**



**Specifications**

**MATERIAL:** die-cast brass  
**SECTION:** main and derived conductor of the same or different section  
**OPERATING TEMPERATURE:** from -50 °C to +150 °C  
**APPLICATIONS:** grounding systems, to connect copper wire ropes or copper conductors suitable for earthing

Code	Section (mm <sup>2</sup> )	Cable diameter (mm)	W1 (mm)	L1 (mm)	Screw	
5261	6 ÷ 16	3 ÷ 5	25	32	M6	100/100
5262	25 ÷ 50	6 ÷ 8	32	38	M8	
5263	50 ÷ 70	9 ÷ 12	42	45	M8	50/50
5264	70 ÷ 95	12 ÷ 14	53	53	M10	25/25
5265	95 ÷ 150	14 ÷ 16	54,5	57,5	M10	20/20
5266	150 ÷ 300	16 ÷ 22	66	67	M12	10/10

