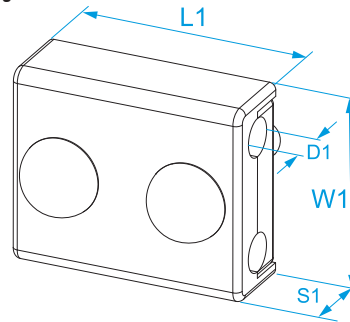


**Product family:** Screw connections - Two-wire diamond lugs  
**Item code:** 5211, 5212, 5213, 5214, 5215, 5216, 5217, 5218, 5219, 5220, 5221, 5223  
**Description:** TWO-WIRE DIAMOND LUGS

**Image**



**Technical drawing**



**Specifications**

**MATERIAL:** die-cast brass  
**OPERATING TEMPERATURE:** from -50 °C to +150 °C

Code	Section (mm <sup>2</sup> )	D1 (mm)	W1 (mm)	L1 (mm)	S1 (mm)	Screw	
5211	6	3	19	23	8	M5	
5212	10	4	20	27	9,5	M5	100/100
5213	16	5	24	29,5	10,75	M6	
5214	25	6	27	34,5	11,5	M6	50/50
5215	35	7	30	36	11,5	M6	
5216	40	8	33,5	39,5	14	M8	
5217	50	9	35,5	43	15	M8	
5218	63	10	37,5	47,5	16	M10	25/25
5219	70	11	43,5	53	17,5	M10	
5220	80	12	46,5	56	18	M10	
5221	95	13	46,5	56	18	M10	20/20
5223	135	15	50	58,5	18,5	M10	10/10

