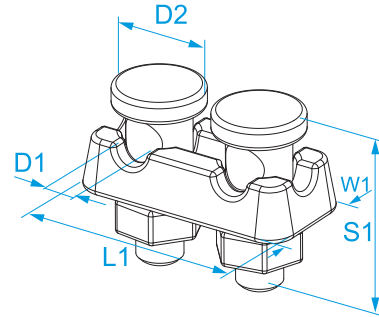


**Product family:** Screw connections - Earthing lugs  
**Item code:** 23  
**Description:** 2-BOLT EARTHING LUGS

**Image**



**Technical drawing**



**Specifications**

**MATERIAL:** die-cast brass  
**OPERATING TEMPERATURE:** from -50 °C to +150 °C

Code	Section (mm <sup>2</sup> )	D1 (mm)	D2 (mm)	W1 (mm)	L1 (mm)	S1 (mm)	Screw	
23	50	10	21	26	51,5	41	M10	25/50

