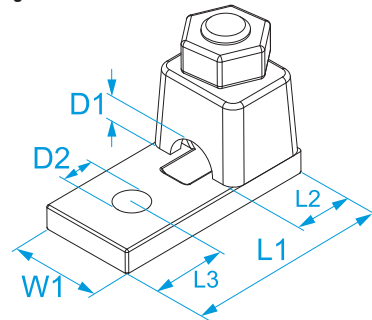


Product family: Screw connections - Terminal lugs
Item code: 5160, 5161, 5162, 5163, 5164, 5165, 5167
Description: 1-BOLT TERMINALS

Image



Technical drawing



Specifications

MATERIAL: nickel-plated die-cast brass
OPERATING TEMPERATURE: from -50 °C to +150 °C

Code	Section (mm ²)	Cable diameter (mm)	Ø screw (mm)	Stud size	D1 (mm)	D2 (mm)	W1 (mm)	L1 (mm)	L2 (mm)	L3 (mm)	Screw	
5160	4 ÷ 10	2 ÷ 4	5	#10	4,2	5,25	12	26,5	12	7	M5	
5161	10 ÷ 25	4 ÷ 6	5	#10	6,2	6	14	36	11	8	M6	100/100
5162	25 ÷ 35	6 ÷ 8,5	5	#10	8,5	6	17	38	12,5	8	M7	
5163	35 ÷ 50	8,5 ÷ 11	7	9/32"	11,5	8,3	23	50	18	12	M10	50/50
5164	70 ÷ 95	11 ÷ 14	10	3/8"	15	10,5	26,5	55	20,5	14,5	M12	25/25
5165	95 ÷ 120	14 ÷ 17	10	3/8"	27,5	11,5	32	64	23	16	M14	
5167	185 ÷ 240	20,5 ÷ 24	16	5/8"	24	17	40	94	31,5	23	M16	10/20