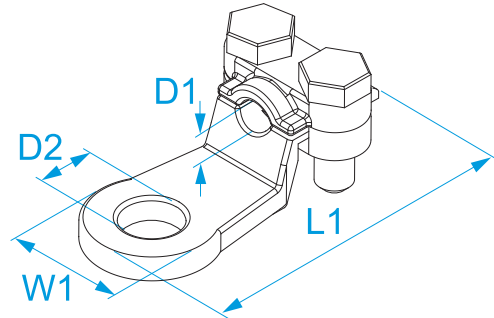


Product family: Screw connections - Terminal lugs
Item code: 5140, 5141, 5142, 5143
Description: 2-BOLT TERMINALS

Image



Technical drawing



Specifications

MATERIAL: nickel-plated die-cast brass
OPERATING TEMPERATURE: from -50 °C to +150 °C

Code	Section (mm ²)	Ø screw (mm)	Stud size	D1 (mm)	D2 (mm)	W1 (mm)	L1 (mm)	Screw	
5140	10	5	#10	4	6	15	32,5	M5	100/200
5141	16	8	5/16"	5,1	8,5	17	37	M5	200/200
5142	25	8	5/16"	6,3	8,5	18,75	42	M5	150/150
5143	35	10	3/8"	7,5	10,5	21,5	49	M5	100/100