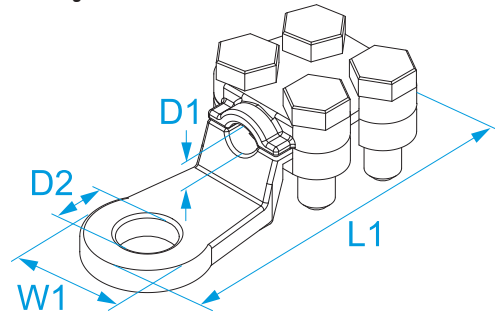


Product family: Screw connections - Terminal lugs
Item code: 5144, 5145, 5146, 5147, 5148, 5150, 5151, 5152, 5153
Description: 4-BOLT TERMINALS

Image




Technical drawing



Specifications

MATERIAL: nickel-plated die-cast brass
OPERATING TEMPERATURE: from -50 °C to +150 °C

Code	Section (mm ²)	Ø screw (mm)	Stud size	D1 (mm)	D2 (mm)	W1 (mm)	L1 (mm)	Screw	
5144	50	10	3/8"	9,5	10,5	23	56,5	M6	100/100
5145	75	12	1/2"	11	13,25	26	61	M6	
5146	100	12	1/2"	13	14,3	29	65	M6	50/50
5147	120	14	9/16"	14	14,8	32	71	M6	
5148	170	14	9/16"	16	16	33	81	M8	25/25
5150	250	16	5/8"	18	17	38	87,5	M8	20/20
5151	300	18	13/16"	21	19,8	45	118	M10	15/15
5152	400 ÷ 500	22	7/8"	25,5	22	53	132	M10	10/10
5153	700	22	7/8"	34	22	60	150	M10	1/1