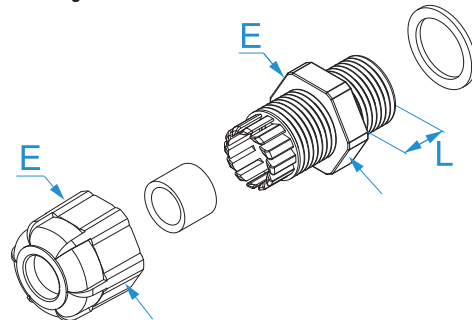


**Product family:** Nylon cable glands - Metric thread  
**Item code:** 4912, 4912N, 4917, 4917N, 4920, 4920N, 4925, 4925N, 4932, 4932N, 4940, 4940N, 4950, 4950N, 4963, 4963N  
**Description:** NYLON CABLE GLANDS · METRIC THREAD · IP68 · STANDARD

**Image**




**Technical drawing**



**Specifications**

**MATERIAL:** polyamide (PA 6.6), self-extinguishing according to UL 94 V2 and IEC 695-2-1 (850 °C)  
**OPERATING TEMPERATURE:** from -20 °C to +90 °C  
**INNER GASKET AND WASHER:** NBR (nitrile rubber), 70 Shore A  
**ACCORDING TO STD.:** EN 62444:2013  
**ASSEMBLY:** don't remove or move the gasket; tighten on a flat and smooth surface.

Code	Color	Metric thread size (EN60423)	Ø cable (mm)	L (mm)	E wrench (nut)	
4912	Grey RAL 7035	M 12 x 1.5	3 - 6,5	9	16	50/250
4912N	Black RAL 9005	M 12 x 1.5	3 - 6,5	9	16	50/50
4917	Grey RAL 7035	M 16 x 1.5	4 - 8	9	19	50/250
4917N	Black RAL 9005	M 16 x 1.5	4 - 8	9	19	
4920	Grey RAL 7035	M 20 x 1.5	6 - 12	10	24	25/125
4920N	Black RAL 9005	M 20 x 1.5	6 - 12	10	24	25/250
4925	Grey RAL 7035	M 25 x 1.5	13 - 18	12	33	25/125
4925N	Black RAL 9005	M 25 x 1.5	13 - 18	12	33	25/25
4932	Grey RAL 7035	M 32 x 1.5	16 - 21	12	36	20/100
4932N	Black RAL 9005	M 32 x 1.5	16 - 21	12	36	20/20
4940	Grey RAL 7035	M 40 x 1.5	20 - 26	15	46	10/50
4940N	Black RAL 9005	M 40 x 1.5	20 - 26	15	46	10/10
4950	Grey RAL 7035	M 50 x 1.5	32 - 38	18	60	5/25
4950N	Black RAL 9005	M 50 x 1.5	32 - 38	18	60	5/5
4963	Grey RAL 7035	M 63 x 1.5	37 - 44	18	68	5/5
4963N	Black RAL 9005	M 63 x 1.5	37 - 44	18	68	

