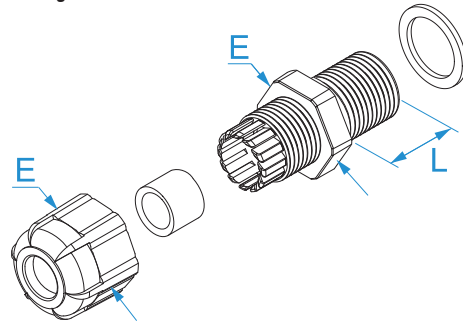


Product family: Nylon cable glands - Metric thread
Item code: 4912L, 4912LN, 4917L, 4917LN, 4920L, 4920LN, 4925L, 4925LN, 4932L, 4932LN, 4940L, 4940LN, 4950L, 4950LN, 4963L, 4963LN
Description: NYLON CABLE GLANDS · METRIC THREAD · IP68 · WITH LONG THREAD

Image




Technical drawing



Specifications

MATERIAL: polyamide (PA 6.6), self-extinguishing according to UL 94 V2 and IEC 695-2-1 (850 °C)
OPERATING TEMPERATURE: from -20 °C to +90 °C
INNER GASKET AND WASHER: NBR (nitrile rubber), 70 Shore A
ACCORDING TO STD.: EN 62444:2013
ASSEMBLY: do not remove or move the gasket; tighten on a flat and smooth surface.

Code	Color	Metric thread size (EN60423)	Ø cable (mm)	L (mm)	E wrench (nut)	
4912L	Grey RAL 7035	M 12 x 1.5	3 - 6,5	15	16	25/25
4912LN	Black RAL 9005	M 12 x 1.5	3 - 6,5	15	16	25/250
4917L	Grey RAL 7035	M 16 x 1.5	4 - 8	15	19	25/250
4917LN	Black RAL 9005	M 16 x 1.5	4 - 8	15	19	
4920L	Grey RAL 7035	M 20 x 1.5	6 - 12	15	24	10/100
4920LN	Black RAL 9005	M 20 x 1.5	6 - 12	15	24	10/10
4925L	Grey RAL 7035	M 25 x 1.5	13 - 18	15	33	10/100
4925LN	Black RAL 9005	M 25 x 1.5	13 - 18	15	33	
4932L	Grey RAL 7035	M 32 x 1.5	16 - 21	15	36	10/10
4932LN	Black RAL 9005	M 32 x 1.5	16 - 21	15	36	
4940L	Grey RAL 7035	M 40 x 1.5	20 - 26	18	46	5/5
4940LN	Black RAL 9005	M 40 x 1.5	20 - 26	18	46	5/50
4950L	Grey RAL 7035	M 50 x 1.5	32 - 38	20	60	3/3
4950LN	Black RAL 9005	M 50 x 1.5	32 - 38	20	60	3/30
4963L	Grey RAL 7035	M 63 x 1.5	37 - 44	20	68	3/3
4963LN	Black RAL 9005	M 63 x 1.5	37 - 44	20	68	3/30

