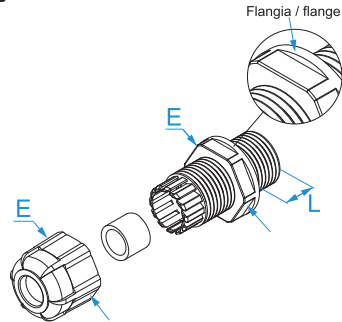


Product family: Nylon cable glands - PG thread
Item code: 4907, 49071, 4909, 49091, 4911, 49111, 4913, 49131, 4916, 49161, 4921, 49211, 4929, 49291, 4936, 49361
Description: NYLON CABLE GLANDS · PG THREAD · IP68 · WITH FLANGE

Image



Technical drawing



Features

Cable glands with UL certification.
 When installing the cable gland on panels with through hole, you need to use the 48xx nuts to preserve UL certification.

Specifications

MATERIAL: polyamide (PA 6.6), self-extinguishing according to UL 94 V2 and IEC 695-2-1 (850 °C)
OPERATING TEMPERATURE: from -20 °C to +90 °C
INNER GASKET: NBR (nitrile rubber), 60 Shore A
ACCORDING TO STD.: EN 62444:2013
ASSEMBLY: no gasket needed; tighten on a flat and smooth surface.

Code	Color	PG thread size (DIN40430)	Ø cable (mm)	L (mm)	E wrench (nut)	
4907**	Grey RAL 7035	PG 7	3 - 6,5	8	15	50/50
49071**	Black RAL 9005	PG 7	3 - 6,5	8	15	
4909**	Grey RAL 7035	PG 9	4 - 8	8	19	50/50
49091**	Black RAL 9005	PG 9	4 - 8	8	19	
4911**	Grey RAL 7035	PG 11	5 - 10	8	22	50/50
49111**	Black RAL 9005	PG 11	5 - 10	8	22	
4913*	Grey RAL 7035	PG 13.5	6 - 12	10	24	50/50
49131*	Black RAL 9005	PG 13.5	6 - 12	10	24	
4916*	Grey RAL 7035	PG 16	10 - 14	10	27	50/50
49161*	Black RAL 9005	PG 16	10 - 14	10	27	
4921*	Grey RAL 7035	PG 21	13 - 18	11	33	25/25
49211*	Black RAL 9005	PG 21	13 - 18	11	33	
4929	Grey RAL 7035	PG 29	18 - 25	11	42	20/20
49291	Black RAL 9005	PG 29	18 - 25	11	42	
4936*	Grey RAL 7035	PG 36	22 - 32	13	53	10/10
49361*	Black RAL 9005	PG 36	22 - 32	13	53	



* file n° E171361



** file n° E171361

