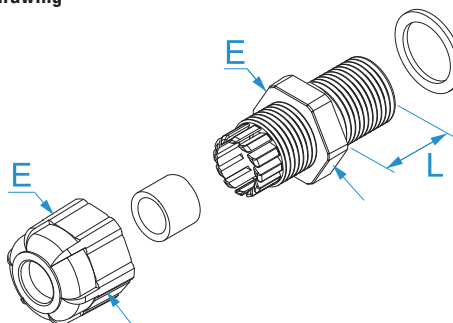


Product family: Nylon cable glands - PG thread
Item code: 4007L, 4007LN, 4009L, 4009LN, 4011L, 4011LN, 4013L, 4013LN, 4016L, 4016LN, 4021L, 4021LN, 4029L, 4029LN, 4036L, 4036LN, 4042L, 4042LN, 4048L, 4048LN
Description: NYLON CABLE GLANDS · PG THREAD · IP68 · WITH LONG THREAD

Image



Technical drawing



Specifications

MATERIAL: polyamide (PA 6.6), self-extinguishing according to UL 94 V2 and IEC 695-2-1 (850 °C)
OPERATING TEMPERATURE: from -20 °C to +90 °C
INNER GASKET AND WASHER: NBR (nitrile rubber), 70 Shore A
ACCORDING TO STD.: EN 62444:2013
ASSEMBLY: do not remove or move the gasket; tighten on a flat and smooth surface.

Code	Color	PG thread size (DIN40430)	Ø cable (mm)	L (mm)	E wrench (nut)	
4007L	Grey RAL 7035	PG 7	3 - 6,5	15	16	25/250
4007LN	Black RAL 9005	PG 7	3 - 6,5	15	16	25/25
4009L	Grey RAL 7035	PG 9	4 - 8	15	19	25/250
4009LN	Black RAL 9005	PG 9	4 - 8	15	19	25/25
4011L	Grey RAL 7035	PG 11	5 - 10	15	22	25/250
4011LN	Black RAL 9005	PG 11	5 - 10	15	22	25/25
4013L	Grey RAL 7035	PG 13.5	6 - 11	15	24	10/100
4013LN	Black RAL 9005	PG 13.5	6 - 11	15	24	10/100
4016L	Grey RAL 7035	PG 16	10 - 13	15	27	10/100
4016LN	Black RAL 9005	PG 16	10 - 13	15	27	10/10
4021L	Grey RAL 7035	PG 21	13 - 18	15	33	10/100
4021LN	Black RAL 9005	PG 21	13 - 18	15	33	10/100
4029L	Grey RAL 7035	PG 29	18 - 25	15	42	10/100
4029LN	Black RAL 9005	PG 29	18 - 25	15	42	10/10
4036L	Grey RAL 7035	PG 36	25 - 32	18	52	5/25
4036LN	Black RAL 9005	PG 36	25 - 32	18	52	5/25
4042L	Grey RAL 7035	PG 42	32 - 38	20	60	3/3
4042LN	Black RAL 9005	PG 42	32 - 38	20	60	3/30
4048L	Grey RAL 7035	PG 48	37 - 44	20	68	3/3
4048LN	Black RAL 9005	PG 48	37 - 44	20	68	3/3

