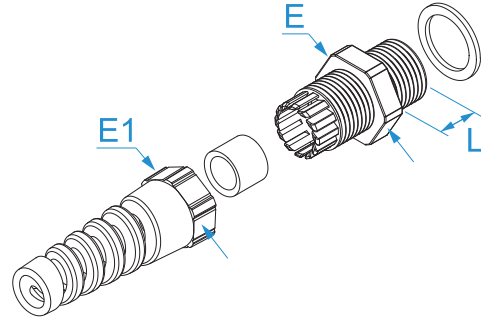


Product family: Nylon cable glands - PG thread
Item code: 4007S, 4007SN, 4009S, 4009SN, 4011S, 4011SN, 4013S, 4013SN, 4016S, 4016SN, 4021S, 4021SN
Description: NYLON CABLE GLANDS · PG THREAD · IP68 · WITH SPIRAL CABLE PROTECTION

Image



Technical drawing



Specifications

MATERIAL: polyamide (PA 6.6), self-extinguishing according to UL 94 V2 and IEC 695-2-1 (850 °C)
OPERATING TEMPERATURE: from -20 °C to +90 °C
INNER GASKET AND WASHER: NBR (nitrile rubber), 70 Shore A
ACCORDING TO STD.: EN 62444:2013
ASSEMBLY: do not remove or move the gasket; tighten on a flat and smooth surface.

Code	Color	PG thread size (DIN40430)	Ø cable (mm)	L (mm)	E wrench (nut)	
4007S	Grey RAL 7035	PG 7	3 - 6,5	15	16	25/25
4007SN	Black RAL 9005	PG 7	3 - 6,5	15	16	
4009S	Grey RAL 7035	PG 9	4 - 8	15	19	25/25
4009SN	Black RAL 9005	PG 9	4 - 8	15	19	
4011S	Grey RAL 7035	PG 11	5 - 10	15	22	10/10
4011SN	Black RAL 9005	PG 11	5 - 10	15	22	
4013S	Grey RAL 7035	PG 13.5	6 - 11	15	24	10/10
4013SN	Black RAL 9005	PG 13.5	6 - 11	15	24	
4016S	Grey RAL 7035	PG 16	10 - 13	15	27	10/100
4016SN	Black RAL 9005	PG 16	10 - 13	15	27	
4021S	Grey RAL 7035	PG 21	13 - 16	15	33	10/10
4021SN	Black RAL 9005	PG 21	13 - 16	15	33	

