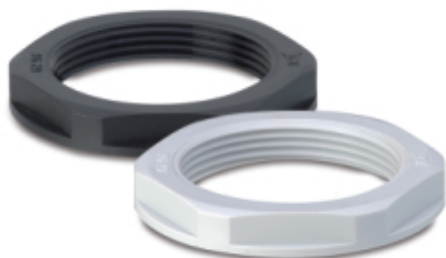
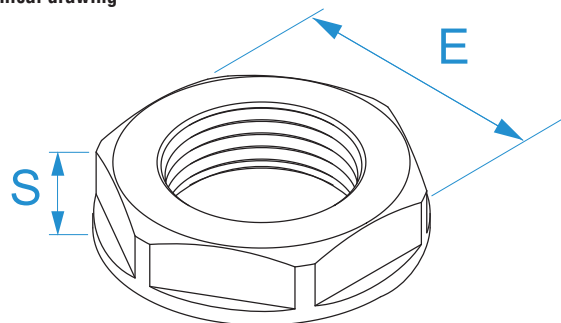


Product family: Nylon cable glands - PG thread
Item code: 4807, 4807N, 4809, 4809N, 4811, 4811N, 4813, 4813N, 4816, 4816N, 4821, 4821N, 4829, 4829N, 4836, 4836N, 4842, 4842N, 4848, 4848N
Description: ACCESSORIES FOR NYLON CABLE GLANDS: PG THREAD · HEXAGONAL LOCKNUTS WITH FLANGE

Image



Technical drawing



Features

Recommended use to preserve UL certification of the 49xx cable glands when installed on through-hole panels.

Specifications

MATERIAL: polyamide (PA 6.6)
SELF-EXTINGUISHING: UL 94 V2
OPERATING TEMPERATURE: from -20 °C to +90 °C

Code	Color	PG thread size (DIN40430)	E wrench (nut)	S (mm)	
4807**	Grey RAL 7035	PG 7	19	5	100/100
4807N**	Black RAL 9005	PG 7	19	5	
4809**	Grey RAL 7035	PG 9	22	5	100/100
4809N**	Black RAL 9005	PG 9	22	5	
4811**	Grey RAL 7035	PG 11	24	5	100/100
4811N**	Black RAL 9005	PG 11	24	5	
4813*	Grey RAL 7035	PG 13.5	27	6	100/100
4813N*	Black RAL 9005	PG 13.5	27	6	
4816*	Grey RAL 7035	PG 16	30	6	100/100
4816N*	Black RAL 9005	PG 16	30	6	
4821*	Grey RAL 7035	PG 21	36	7	100/100
4821N*	Black RAL 9005	PG 21	36	7	
4829	Grey RAL 7035	PG 29	46	7	50/50
4829N	Black RAL 9005	PG 29	46	7	
4836*	Grey RAL 7035	PG 36	60	8	25/25
4836N*	Black RAL 9005	PG 36	60	8	
4842	Grey RAL 7035	PG 42	65	8	25/25
4842N	Black RAL 9005	PG 42	65	8	
4848	Grey RAL 7035	PG 48	70	8	10/10
4848N	Black RAL 9005	PG 48	70	8	

